

120 Ton Tripod Jack

Model 8811B



The Model 8811B Tripod Jack is a 120 ton capacity single stage hydraulic jack designed for use in aircraft maintenance. It consists of a tripod structure, hydraulic cylinder assembly, reservoir, valve block assembly, hand pump assembly, tow handle and swivel casters.

The jack leg pads are raised off the ground by spring loaded casters. The casters will retract under loading, allowing the footpads to contact the ground during jacking operations.

The Model 8811B is built to withstand harsh environmental conditions and rugged use, and to provide many years of continuous service. Malabar customers are guaranteed a quality product with each purchase and are assured of continued product support whenever and wherever the need arises.

Standard Features:

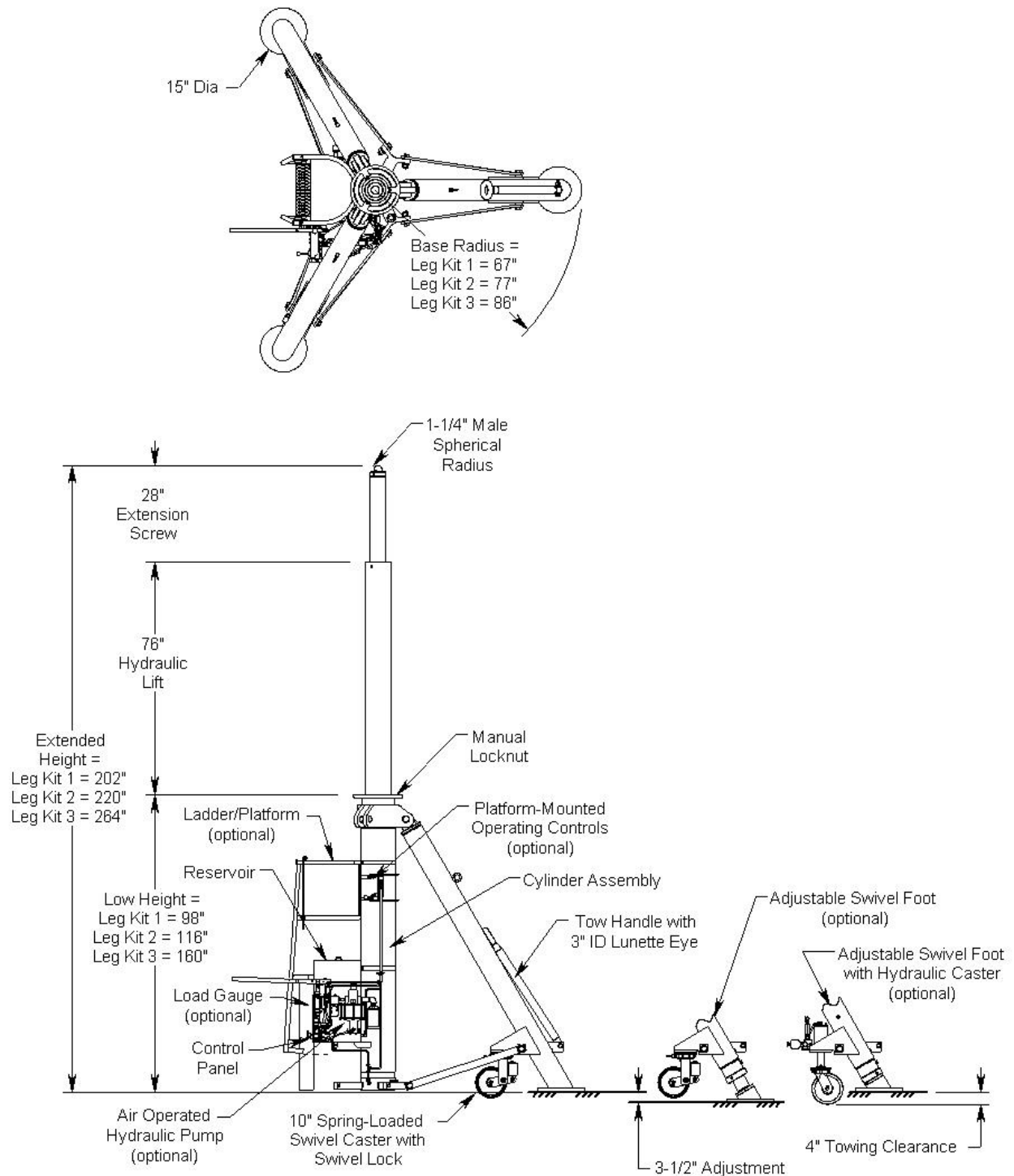
- Manual hand pump with high, medium and low pressure operating positions
- Heavy duty tow handle and swivel casters with swivel locks for improved towing
- Spring loaded swivel casters for smooth jack maneuverability
- Hydraulic “thermal” relief valve for added protection and safety in the event of internal fluid expansion due to temperature
- Secondary cylinder seal for protection against contaminants and prolong life of primary seal
- Rain hat (covers jack upper head)
- Hard chrome-plated cylinder bore
- All unpainted parts plated for corrosion resistance
- Skydrol resistant paint (safety yellow standard)
- Factory proof loaded @ 150% of rated capacity
- Shipping skid

Optional Features:

- Leg kit 1 - 98” low height
- Leg kit 2 - 116” low height
- Leg kit 3 - 160” low height
- Air-operated hydraulic pump
- Load gauge for load indication (reads tons/psig)
- Adjustable swivel feet with level for leveling jack
- Hydraulic-operated casters provide ease in jack leveling and increased ground clearance for towing
- Shock absorber (requires hydraulic casters)
- Ladder/platform
- Platform-mounted operating controls allow one person to position locknut while controlling lifting and lowering operations

120 Ton Tripod Jack

Model 8811B



For more information contact: sales@malabar.com

120 Ton Tripod Jack

Model 8811B

Specifications:

Rated Capacity	120 tons (108.9 m. tons)
Side Load.....	15% of vertical load
Roll Under Height, Leg Kit 1	99.5 inches (2527 mm)
Roll Under Height, Leg Kit 2.....	117.5 inches (2985 mm)
Roll Under Height, Leg Kit 3.....	161.5 inches (4102 mm)
Low Height, Leg Kit 1	98 inches (2489 mm)
Low Height, Leg Kit 2	116 inches (2946 mm)
Low Height, Leg Kit 3	160 inches (4064 mm)
Hydraulic Lift.....	76 inches (1930 mm)
Extension Screw.....	28 inches (711 mm)
Total Extended Height, Leg Kit 1.....	202 inches (5131 mm)
Total Extended Height, Leg Kit 2.....	220 inches (5588 mm)
Total Extended Height, Leg Kit 3.....	264 inches (6706 mm)
Oil Pressure at Rated Capacity.....	3730 psig (262 kg/cm ²)
Safety Pop-Off Valves	
System Relief Valve Set At	132 tons (119.8 m. tons)
Thermal Relief Valve Set At	150 tons (136.1 m. tons)
Proof Load	180 tons (163.3 m. tons)
Reservoir Capacity	26 gallons (98.4 liters)
Hydraulic Fluid.....	MIL-PRF-5606 or equivalent
Maximum Towing Speed.....	5 mph (8 km/h)
Approximate Net Weight.....	4800 lbs (2177 kg)

Model 8811B Typical Aircraft Applications

Jack Configuration	Wing or Body
8811B with Leg Kit 1	A319, A320, A321, B747, B747-8, B757*, B767, B777, B787
8811B with Leg Kit 2	A300, A310, DC10, MD11, L1011
8811B with Leg Kit 3	A330, A340, A350

* Specify 3/4" Female Spherical Radius Ship Adapter P/N 73318-1 for this Application

120 Ton Tripod Jack

Model 8811B

Optional Equipment Codes:

(Specify with order)

- **98FFLK: 98" Jack Low Height Fixed Feet Leg Kit
- **98AFLK: 98" Jack Low Height Adjustable Feet Leg Kit
- **116FFLK: 116" Jack Low Height Fixed Feet Leg Kit
- **116AFLK: 116" Jack Low Height Adjustable Feet Leg Kit
- **160FFLK: 160" Jack Low Height Fixed Feet Leg Kit
- **160AFLK: 160" Jack Low Height Adjustable Feet Leg Kit
- AP: Air Operated Hydraulic Pump
- GA: Load Gauge
- HC: Adjustable Swivel Feet with Hydraulic Casters
- SA: Shock Absorber (Requires Hydraulic Casters)
- LA: Ladder/Platform
- RC: Platform Mounted Operating Controls
- SPC: Special Paint Color
- 8811BPK: Repair Kit

**Order must specify one of these optional equipment codes.

Packaging Codes & Options:

(Specify with order)

- KD: Domestic Skid – Jack Knocked Down
- ECKD: Export Crate – Jack Knocked Down (Additional Cost)

Model 8811B – 98" Low Height Shipping Data

Note: Unless otherwise specified, Model 8811B Jack is shipped on a wood skid in the knocked down condition. Refer to Malabar Tripod Jack Shipping Supplement for additional packaging information.

Packaging Code	Length inches (mm)	Width inches (mm)	Height inches (mm)	Weight lbs (kg)	Total Weight lbs (kg)
KD	(leg skid)	113 (2870)	40 (1016)	38 (965)	2200 (998)
	(cylinder skid)	107 (2718)	40 (1016)	50 (1270)	3200 (1452)
ECKD	(leg skid)	115 (2921)	45 (1143)	41 (1041)	2500 (1134)
	(cylinder skid)	109 (2769)	45 (1143)	53 (1346)	3500 (1588)

120 Ton Tripod Jack

Model 8811B

Model 8811B – 116” Low Height Shipping Data

Note: Unless otherwise specified, Model 8811B Jack is shipped on a wood skid in the knocked down condition. Refer to Malabar Tripod Jack Shipping Supplement for additional packaging information.

Packaging Code	Length inches (mm)	Width inches (mm)	Height inches (mm)	Weight lbs (kg)	Total Weight lbs (kg)
KD	(leg skid) 134 (3404)	40 (1016)	38 (965)	2400 (1089)	5600 (2540)
	(cylinder skid) 107 (2718)	40 (1016)	50 (1270)	3200 (1452)	
ECKD	(leg skid) 136 (3454)	45 (1143)	41 (1041)	2700 (1225)	6200 (2812)
	(cylinder skid) 109 (2769)	45 (1143)	53 (1346)	3500 (1588)	

Model 8811B – 160” Low Height Shipping Data

Note: Unless otherwise specified, Model 8811B Jack is shipped on a wood skid in the knocked down condition. Refer to Malabar Tripod Jack Shipping Supplement for additional packaging information.

Packaging Code	Length inches (mm)	Width inches (mm)	Height inches (mm)	Weight lbs (kg)	Total Weight lbs (kg)
KD	(leg skid) 173 (4394)	40 (1016)	38 (965)	2800 (1270)	6800 (3110)
	(cylinder skid) 169 (4293)	40 (1016)	50 (1270)	4000 (1814)	
ECKD	(leg skid) 175 (4445)	45 (1143)	41 (1041)	3100 (1406)	7400 (3356)
	(cylinder skid) 171 (4343)	45 (1143)	53 (1346)	4300 (1950)	