

MODEL 7120E
25 TON FIXED HEIGHT TRIPOD JACK

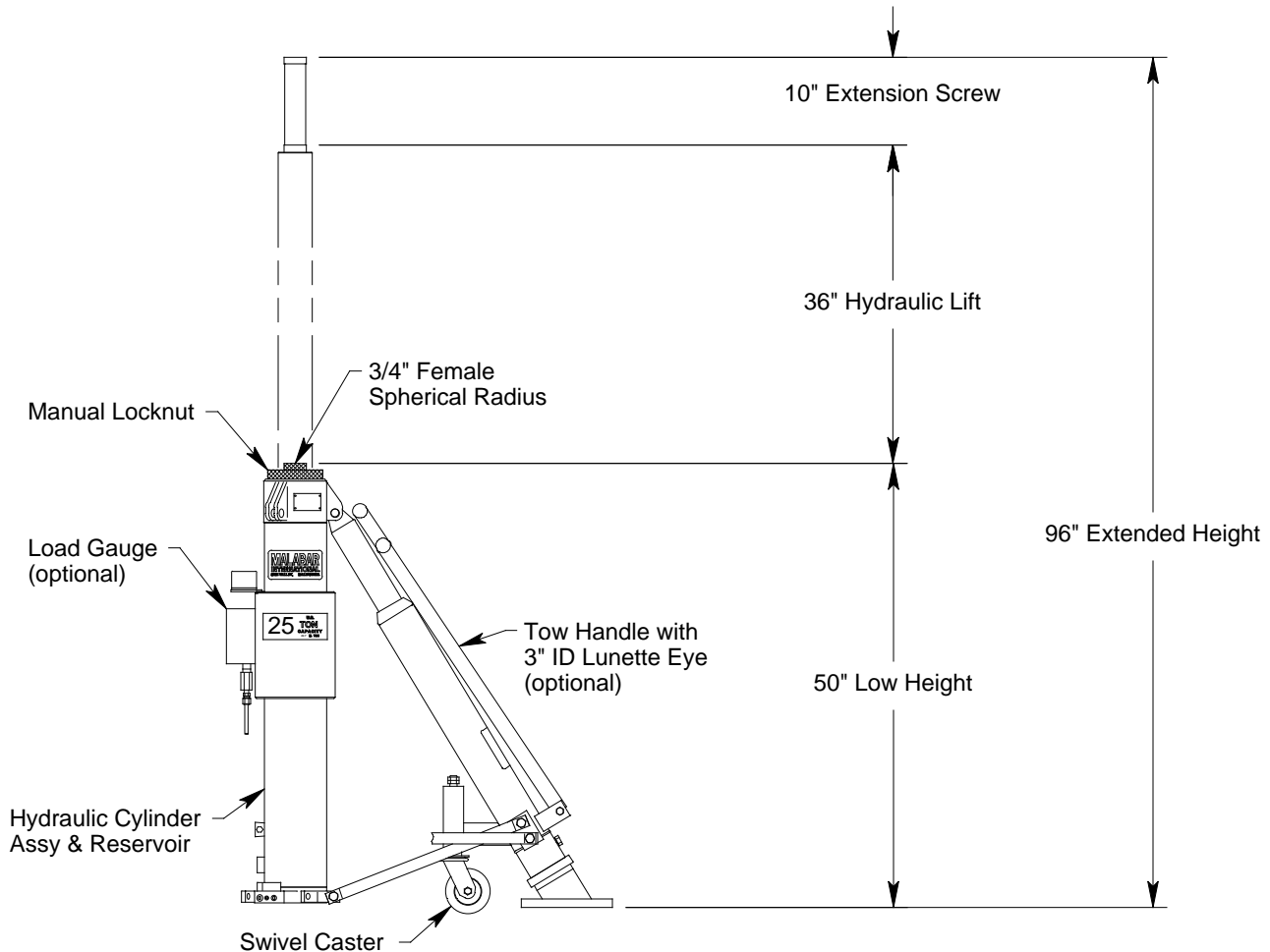
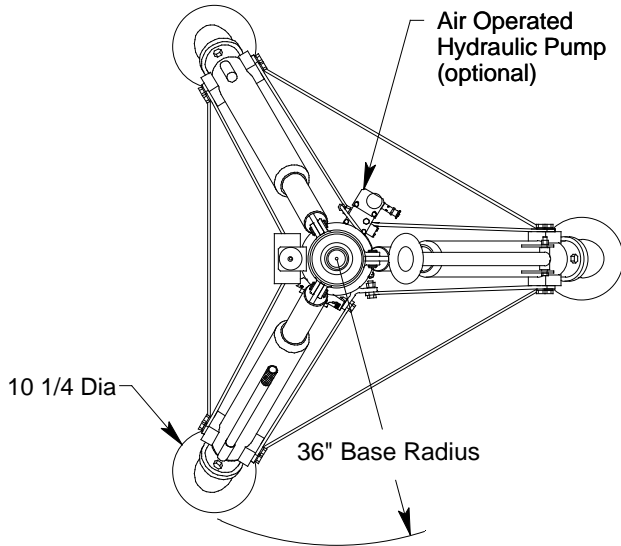
JACK INCLUDES:

- Manual Hand Pump with high, medium and low pressure operating positions
- Heavy Duty Swivel Casters
- Adjustable Swivel Feet with Level for leveling jack
- Rain Hat (covers jack upper head)
- Hard Chrome Plated Cylinder Bore
- All unpainted parts are plated to resist corrosion
- Skydrol Resistant Paint (safety yellow)
- Factory Proof Load @ 150% of rated capacity
- 3 Year Warranty
- Shipping Skid

STANDARD OPTIONS:

- Air Operated Hydraulic Pump
- Load Gauge for load indication (reads tons/psig)
- Tow Handle for ease of towing

Model 7120E is built to withstand harsh environmental conditions, rugged use and to provide many years of continuous service. Our customers are guaranteed a quality product with each purchase and are assured of our continued product support whenever and wherever the need arises.



See Reverse Side for Specifications, Options, Aircraft Applications & Shipping Data

MODEL 7120E

25 TON FIXED HEIGHT TRIPOD JACK

SPECIFICATIONS

Rated Capacity: 25 tons (22.7 m. tons)
 Side Load: 15% of vertical load
 Roll Under Height: 51 inches (1295 mm)
 Low Height: 50 inches (1270 mm)
 Hydraulic Lift: 36 inches (914 mm)
 Extension Screw: 10 inches (254 mm)
 Total Extended Height: 96 inches (2438 mm)
 Oil Pressure at Rated Capacity: 3500 psig (246 kg/sq cm)
 Safety Pop-off Valve set at: 27.5 tons (24.9 m. tons)
 Proof Load: 37.5 tons (34.0 m. tons)
 Reservoir Capacity: 3.1 gallons (11.7 liters)
 Hydraulic Fluid: MIL-H-5606 or equivalent
 Maximum Towing Speed: 5 mph (8 km/h)
 Approximate Jack Net Weight: 650 lbs (295 kg)

MODEL 7120E TYPICAL AIRCRAFT APPLICATIONS

| Forward Fuselage | Wing | Aft Fuselage |
|--|------|---------------|
| C130*, DC8 | DC9 | DC9 w/o stair |
| *Specify Dual Hose Kit p/n 712020 for this application | | |

OPTIONAL EQUIPMENT CODES: (Specify at time of order)

AP: Air Operated Hydraulic Pump
 GA: Load Gauge
 TH: Tow Handle
 SPC: Special Paint Color (yellow is standard)
 7120EPK: Repair Kit
 712020: Dual Hose Kit

PACKAGING CODES & OPTIONS: (Specify at time of order)

— : Domestic Skid - Jack Set-up
 KD: Domestic Skid - Jack Knocked Down (Additional Cost)
 EC: Export Crate - Jack Set-up (Additional Cost)
 ECKD: Export Crate - Jack Knocked Down (Additional Cost)

SHIPPING DATA

NOTE: Unless otherwise specified, Model 7120E jack is shipped on a wood skid in the set-up condition. Refer to Malabar Tripod Jack Shipping Supplement for additional packaging information.

| Packaging Code | Length inch (mm) | Width inch (mm) | Height inch (mm) | Weight lbs (kg) |
|----------------|---------------------|--------------------|---------------------|--------------------|
| — | 63 (1600) | 54 (1372) | 57 (1448) | 750 (340) |
| KD | 68 (1727) | 40 (1016) | 28 (711) | 750 (340) |
| EC | 65 (1651) | 59 (1499) | 60 (1524) | 1000 (454) |
| ECKD | 70 (1778) | 45 (1143) | 31 (787) | 900 (408) |