

# 12 Ton Variable Height Tripod Jack

## Model 714A



The Model 714A Variable Height Tripod Jack is a 12 ton capacity, single stage hydraulic jack designed primarily for use in aircraft maintenance. It consists of a tripod structure, hydraulic cylinder/reservoir assembly, adjustable hand pump and swivel casters.

The jack leg pads are raised off the ground by spring loaded casters. The casters will retract and the pads rest on the ground when a load is applied to the jack.

Model 714A is built to withstand harsh environmental conditions, rugged use and to provide many years of continuous service. Our customers are guaranteed a quality product with each purchase and are assured of our continued product support whenever and wherever the need arises.

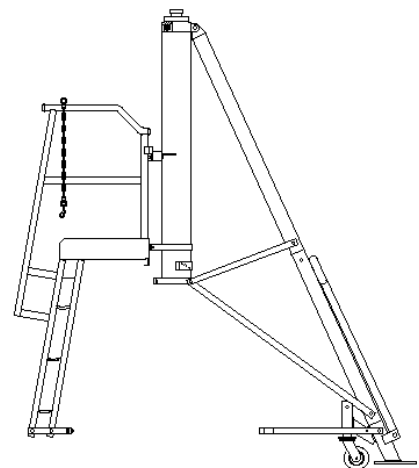
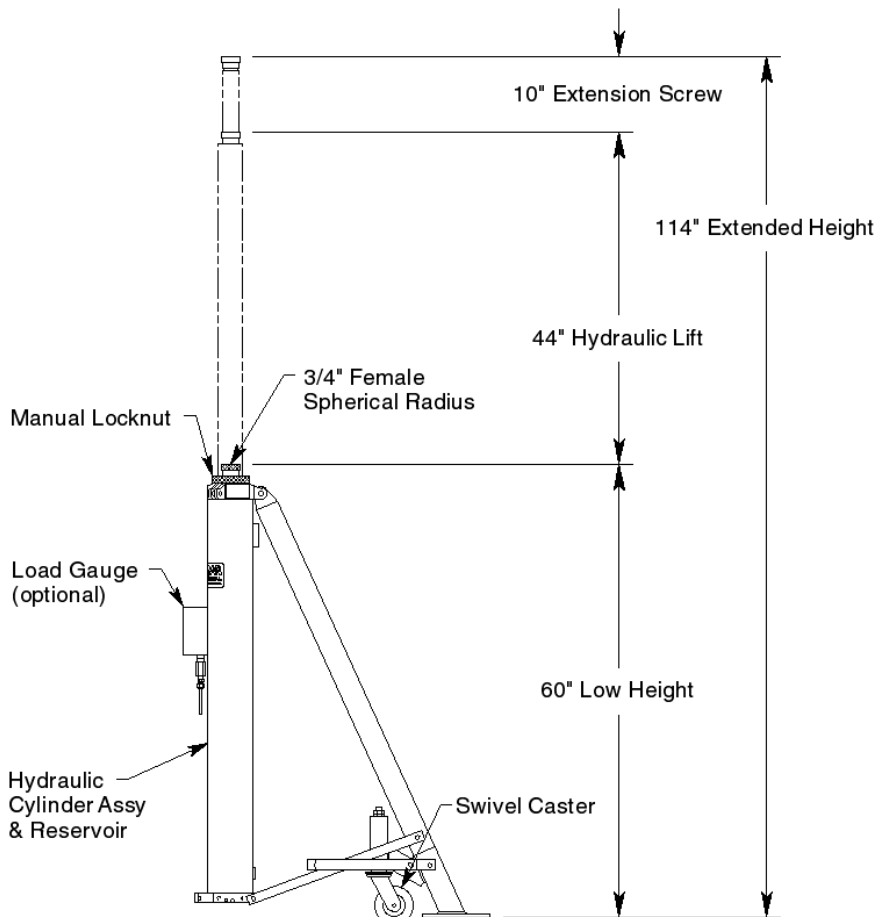
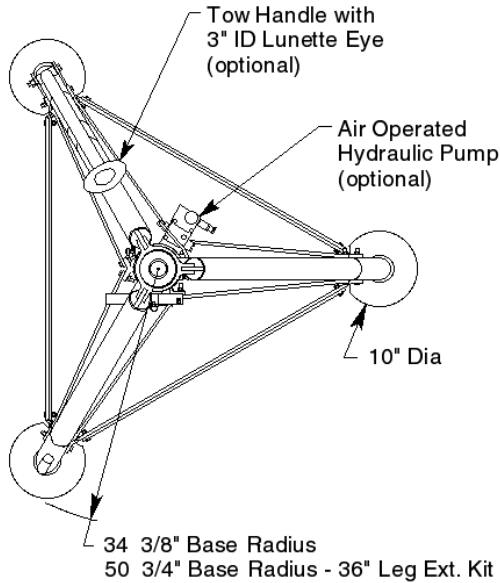
### Standard Features:

- Manual hand pump with high, medium and low pressure operating positions
- Heavy duty swivel casters
- Rain hat (covers jack upper head)
- Hard chrome plated cylinder bore
- All unpainted parts are plated to resist corrosion
- Skydrol resistant paint (safety yellow)
- Factory proof load @ 150% of rated capacity
- Three year standard warranty
- Shipment on domestic skid

### Optional Features:

- Air operated hydraulic pump
- Load gauge for load indication (reads tons/psig)
- Tow handle for ease of towing
- 36 inch leg extension kit
- Ladder/platform kit (requires 36 inch leg extension kit)
- Export crating
- Customer specified paint color

# 12 Ton Variable Height Tripod Jack Model 714A



Model 714A shown with 36" Leg Extension Kit & Ladder/platform Kit (optional)

For more information contact: [sales@malabar.com](mailto:sales@malabar.com)

# 12 Ton Variable Height Tripod Jack

## Model 714A

### Specifications:

Rated Capacity .....	12 tons (10.9 m. tons)
Side Load.....	15% of vertical load
Roll Under Height .....	add 1 inch (25 mm) to low heights
Low Height.....	60 inches (1524 mm)
Low Height with 36" Leg Extension Kit.....	96 inches (2438 mm)
Hydraulic Lift.....	44 inches (1118 mm)
Extension Screw.....	10 inches (254 mm)
Total Extended Height.....	114 inches (2896 mm)
Total Extended Height with 36" Leg Extension Kit.....	150 inches (3810 mm)
Oil Pressure at Rated Capacity .....	2470 psig (174 kg/sq cm)
Safety Pop-off Valve set at.....	13.2 tons (12.0 m. tons)
Proof Load .....	18 tons (16.3 m. tons)
Reservoir Capacity .....	2.5 gallons (9.5 liters)
Hydraulic Fluid.....	MIL-PRF-5606 or equivalent
Maximum Towing Speed.....	5 mph (8 km/h)
Approximate Jack Net Weight.....	725 lbs (329 kg)

### Model 714A Typical Aircraft Applications:

Jack Configuration	Forward Fuselage	Wing	Aft Fuselage
714A	A318**, A319**, A320**, A321**, B737-100 thru -900		
714A with 36" Leg Ext. Kit		ATR42, ATR72 Dash 7, Dash 8, DHC5	B737, MRJ*

\* Use 3/4" Male Spherical Radius Ship Adapter (P/N 71464)

\*\* Suitable for Shoring and Gear Swing only

### Optional Equipment Codes:

(Specify with order)

- AP: Air Operated Hydraulic Pump
- GA: Load Gauge
- TH: Tow Handle
- 36LE: 36" Leg Extension Kit
- LA: Ladder/platform Kit (requires 36" leg extension kit)
- SPC: Special Paint Color (yellow is standard)
- 714APK: Repair Kit

# 12 Ton Variable Height Tripod Jack

## Model 714A

### Packaging Codes & Options:

(Specify with order)

- : Domestic Skid – Jack Set-up with or without Ladder
- KD: Domestic Skid – Jack Knocked Down (Additional Cost)
- LKD: Domestic Skid – Jack & Ladder/platform Kit Knocked Down
- EC: Export Crate – Jack Set-up (Additional Cost) with or without Ladder
- ECKD: Export Crate – Jack Knocked Down (Additional Cost)
- ECLKD: Export Crate – Jack & Ladder/platform Kit Knocked Down (Additional Cost)

### Shipping Data:

NOTE: Unless otherwise specified, Model 714A jack is shipped on a wood skid in the set-up condition.  
Refer to Malabar Tripod Jack Shipping Supplement for additional packaging information.

Packaging Code	Length inches (mm)	Width inches (mm)	Height inches (mm)	Weight lbs (kg)
-	67 (1702)	57 (1448)	67 (1702)	925 (420)
KD	68 (1727)	40 (1016)	28 (711)	925 (420)
KD*	60 (1524)	30 (762)	23 (584)	850 (386)
LKD	92 (2337)	40 (1016)	54 (1372)	1150 (522)
EC	69 (1753)	62 (1575)	70 (1778)	1175 (533)
ECKD	70 (1778)	45 (1143)	31 (787)	1075 (488)
ECKD*	62 (1575)	35 (889)	26 (660)	1000 (454)
ECLKD	94 (2388)	45 (1143)	57 (1448)	1500 (680)

\*For Mitsubishi Aircraft Corporation when specified.