

15 Ton Fixed Height Tripod Jack

Model 7215B



The Model 7215B Fixed Height Tripod Jack is a 15 ton capacity, two stage hydraulic jack designed primarily for use in aircraft maintenance. It consists of a tripod structure, hydraulic cylinder/reservoir assembly, adjustable hand pump and swivel casters.

The jack leg pads are raised off the ground by spring loaded casters. The casters will retract and the pads rest on the ground when a load is applied to the jack.

Model 7215B is built to withstand harsh environmental conditions, rugged use and to provide many years of continuous service. Our customers are guaranteed a quality product with each purchase and are assured of our continued product support whenever and wherever the need arises.

Standard Features:

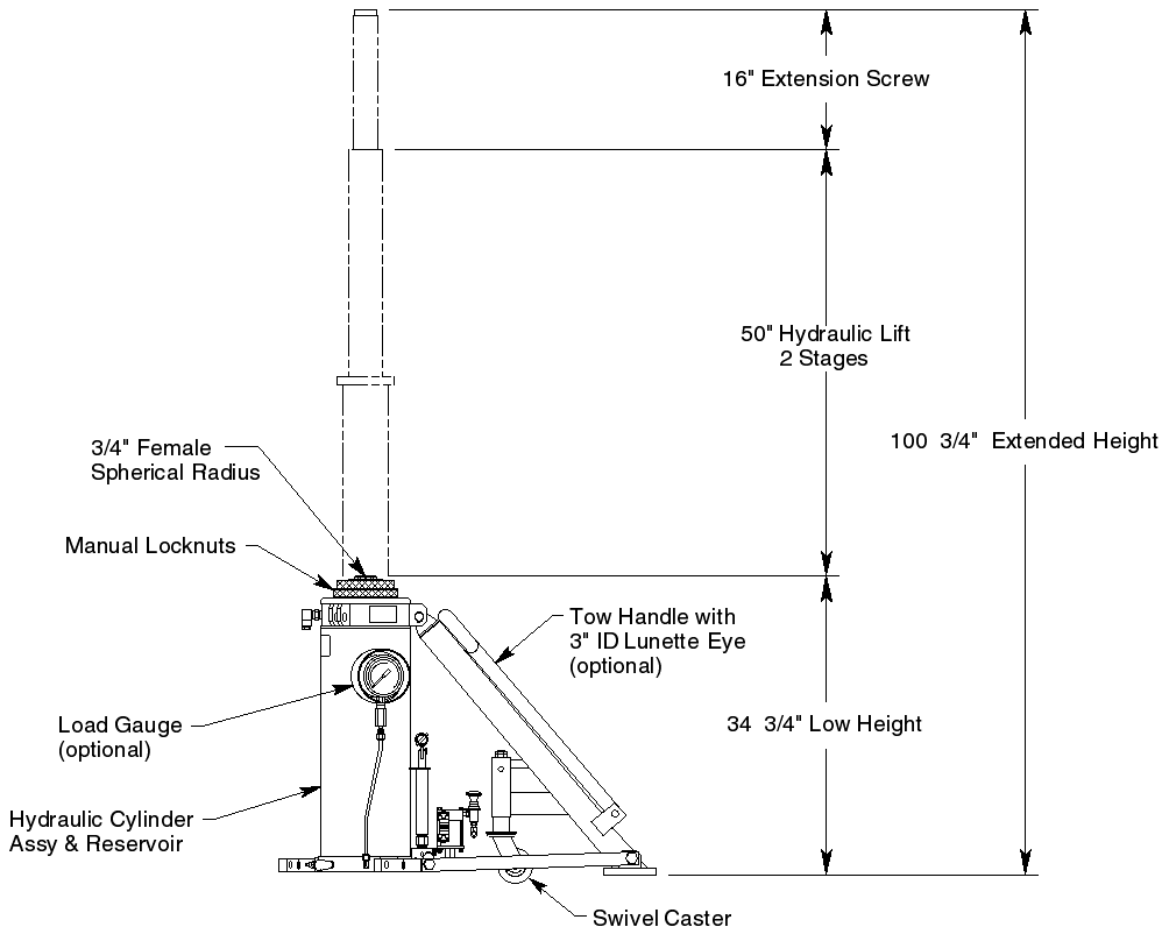
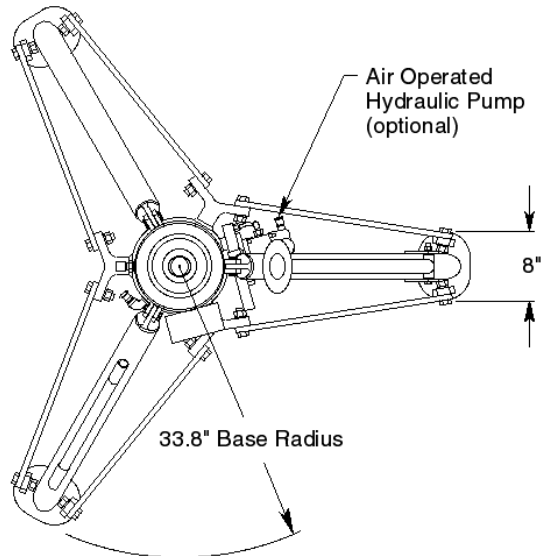
- Manual hand pump with high, medium and low pressure operating positions
- Heavy duty swivel casters
- Rain hat (covers jack upper head)
- Hard chrome plated cylinder bore
- All unpainted parts are plated to resist corrosion
- Skydrol resistant paint (safety yellow)
- Factory proof load @ 150% of rated capacity
- Three year standard warranty
- Shipment on domestic skid

Optional Features:

- Air operated hydraulic pump
- Load gauge for load indication (reads tons/psig)
- Tow handle for ease of towing
- Export crating
- Customer specified paint color

15 Ton Fixed Height Tripod Jack

Model 7215B



For more information contact: sales@malabar.com

15 Ton Fixed Height Tripod Jack

Model 7215B

Specifications:

Rated Capacity	15 tons (13.6 m. tons)
Side Load.....	15% of vertical load
Roll Under Height	35.75 inches (908 mm)
Low Height.....	34.75 inches (883 mm)
Hydraulic Lift.....	50 inches (1270 mm)
Extension Screw.....	16 inches (406 mm)
Total Extended Height.....	100.75 inches (2559 mm)
Oil Pressure at Rated Capacity.....	2090 psig (147 kg/sq cm)
Safety Pop-off Valve set at:.....	16.5 tons (15.0 m. tons)
Proof Load	22.5 tons (20.4 m. tons)
Reservoir Capacity	5 gallons (18.9 liters)
Hydraulic Fluid.....	MIL-PRF-5606 or equivalent
Approximate Jack Net Weight.....	700 lbs (318 kg)

Model 7215B Typical Aircraft Applications:

Aft Fuselage

ARJ21, B717, DC9, MD80/90

Optional Equipment Codes:

(Specify with order)

AP: Air Operated Hydraulic Pump

GA: Load Gauge

TH: Tow Handle

SPC: Special Paint Color (yellow is standard)

7215BPK: Repair Kit

Packaging Codes & Options:

(Specify with order)

-: Domestic Skid – Jack Set-up

KD: Domestic Skid – Jack Knocked Down (Additional Cost)

EC: Export Crate – Jack Set-up (Additional Cost)

ECKD: Export Crate – Jack Knocked Down (Additional Cost)

15 Ton Fixed Height Tripod Jack

Model 7215B

Shipping Data:

NOTE: Unless otherwise specified, Model 7215B jack is shipped on a wood skid in the set-up condition.
Refer to Malabar Tripod Jack Shipping Supplement for additional packaging information.

Packaging Code	Length inches (mm)	Width inches (mm)	Height inches (mm)	Weight lbs (kg)
-	69 (1753)	59 (1499)	42 (1067)	900 (408)
KD	48 (1219)	40 (1016)	28 (711)	835 (379)
EC	71 (1803)	64 (1626)	45 (1143)	1100 (499)
ECKD	50 (1270)	45 (1143)	31 (787)	985 (447)