

60 Ton Fixed Height Tripod Jack

Model 8730B

The Model 8730B Fixed Height Tripod Jack is a 60 ton capacity, single stage hydraulic jack designed primarily for use in aircraft maintenance. It consists of a tripod structure, hydraulic cylinder assembly, reservoir, valve block assembly, hand pump assembly, tow handle, adjustable swivel feet, swivel casters and dual hose rack.

On jacks equipped with spring loaded swivel casters, the jack leg pads are raised off the ground. The casters will retract and the pads rest on the ground when a load is applied to the jack.

Model 8730B is built to withstand harsh environmental conditions and rugged use, and to provide many years of continuous service. Our customers are guaranteed a quality product with each purchase and are assured of our continued product support whenever and wherever the need arises.

Standard Features:

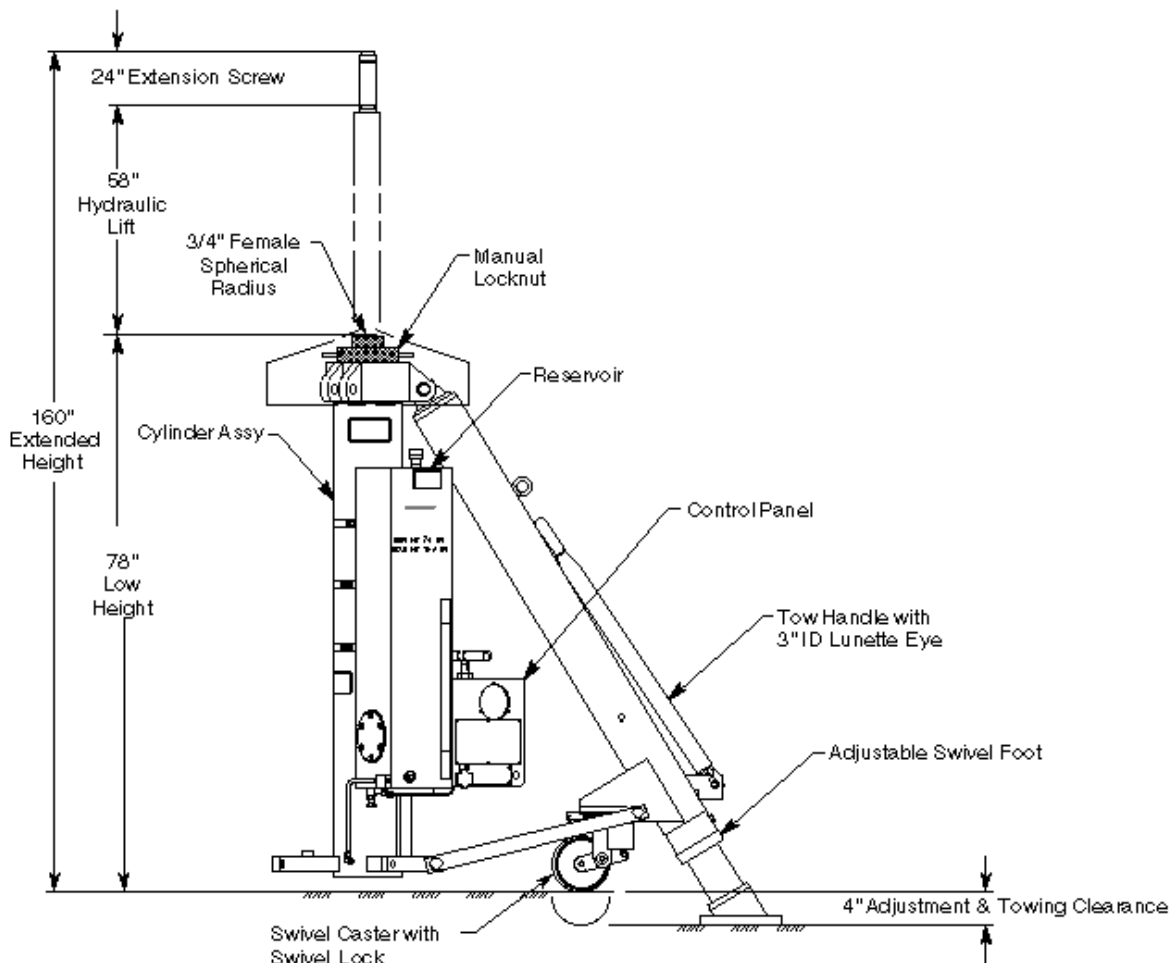
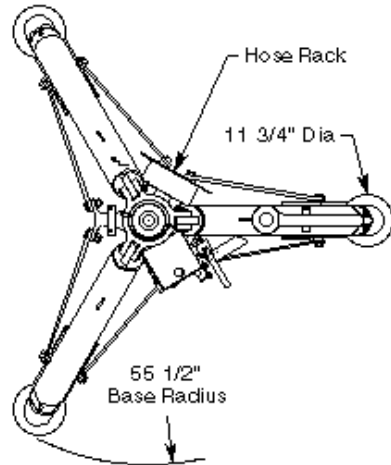
- Manual hand pump with high, medium and low pressure operating positions
- Heavy duty tow handle and swivel casters with swivel locks for improved towing
- Hydraulic thermal relief valve for added protection and safety in the event of internal fluid expansion due to temperature
- Adjustable swivel feet with level for leveling jack
- Hose rack for dual hose storage
- Secondary cylinder seal for protection against contaminants and to prolong life of primary seal
- Rain hat (covers jack upper head)
- Hard chrome plated cylinder bore
- All unpainted parts are plated to resist corrosion
- Skydrol resistant paint (safety yellow)
- Factory proof load @ 150% of rated capacity
- 3 year standard warranty
- Shipment on domestic skid

Optional Features:

- Export crating
- Customer specified paint color

60 Ton Fixed Height Tripod Jack

Model 8730B



For more information contact: sales@malabar.com

60 Ton Fixed Height Tripod Jack

Model 8730B

Specifications:

Rated Capacity	60 tons (54.4 m. tons)
Side Load	15% of vertical load
Roll Under Height	79.5 inches (2019 mm)
Low Height	78 inches (1981 mm)
Hydraulic Lift	58 inches (1473 mm)
Extension Screw	24 inches (610 mm)
Total Extended Height	160 inches (4064 mm)
Oil Pressure at Rated Capacity	2365 psig (166 kg/sq cm)
Safety Pop-off Valves:	
System Relief Valve set at	66 tons (59.9 m. tons)
Thermal Relief Valve set at	75 tons (68.0 m. tons)
Proof Load	90 tons (81.6 m. tons)
Reservoir Capacity	15.3 gallons (58 liters)
Hydraulic Fluid	MIL-PRF-5606 or equivalent
Maximum Towing Speed	5 mph (8 km/h)
Approximate Jack Net Weight	2000 lbs (907 kg)

Model 8730B Typical Aircraft Applications:

C17 Forward Fuselage (2 ea), Mid Fuselage (2 ea) and Aft Fuselage (2 ea)

Optional Equipment Codes:

(Specify with order)

SPC: Special Paint Color (yellow is standard)
8730BPK: Repair Kit

Packaging Codes & Options:

(Specify with order)

-: Domestic Skid – Jack Set-up
KD: Domestic Skid – Jack Knocked Down (Additional Cost)
ECKD: Export Crate – Jack Knocked Down (Additional Cost)

60 Ton Fixed Height Tripod Jack

Model 8730B

Shipping Data:

NOTE: Unless otherwise specified, Model 8730B jack is shipped on a wood skid in the set-up condition.
Refer to Malabar Tripod Jack Shipping Supplement for additional packaging information.

Packaging Code	Length inches (mm)	Width inches (mm)	Height inches (mm)	Weight lbs (kg)
-	101 (2565)	90 (2286)	85 (2159)	2200 (998)
KD	112 (2845)	40 (1016)	60 (1524)	2200 (998)
ECKD	114 (2896)	45 (1143)	63 (1600)	2600 (1179)