

12 Ton Variable Height Tripod Jack

Model 8857



The Model 8857 Variable Height Tripod Jack is a 12 ton capacity, single stage hydraulic jack designed primarily for use in aircraft maintenance. It consists of a tripod structure, hydraulic cylinder/reservoir assembly, adjustable hand pump and swivel casters.

The jack leg pads are raised off the ground by spring loaded casters. The casters will retract and the pads rest on the ground when a load is applied to the jack.

Model 8857 is built to withstand harsh environmental conditions, rugged use and to provide many years of continuous service. Our customers are guaranteed a quality product with each purchase and are assured of our continued product support whenever and wherever the need arises.

Standard Features:

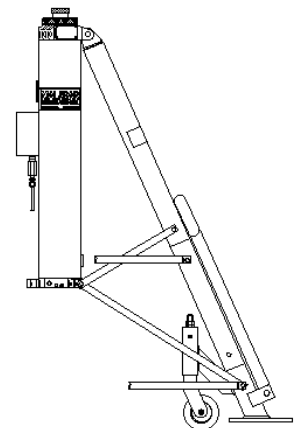
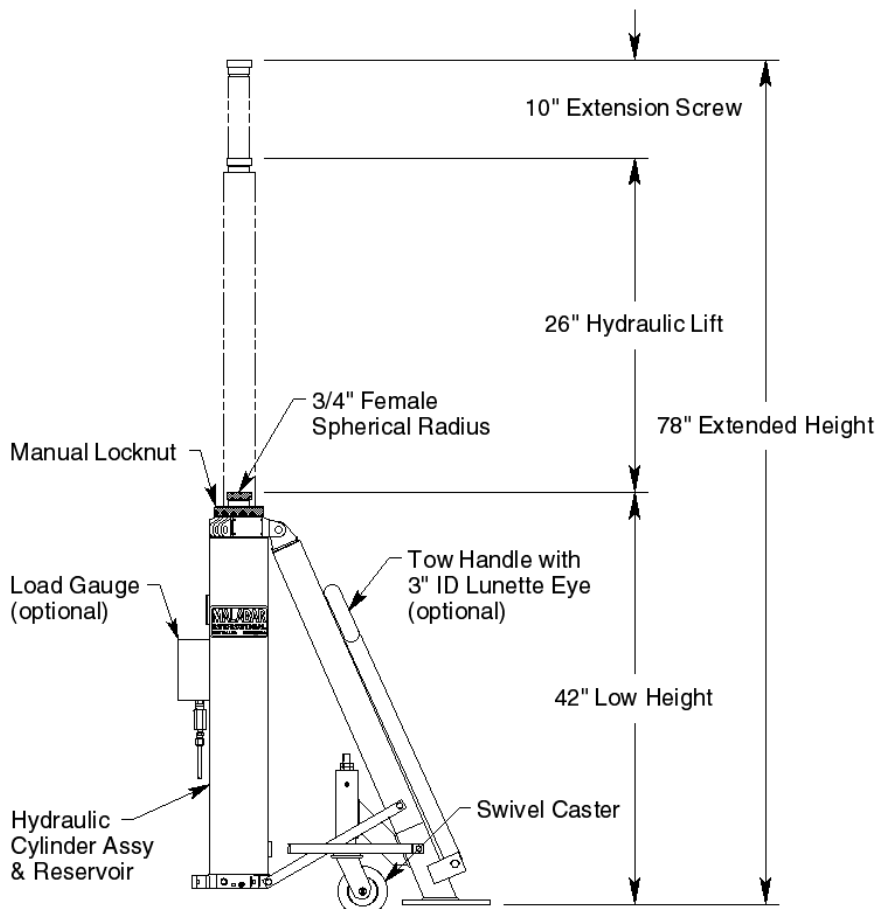
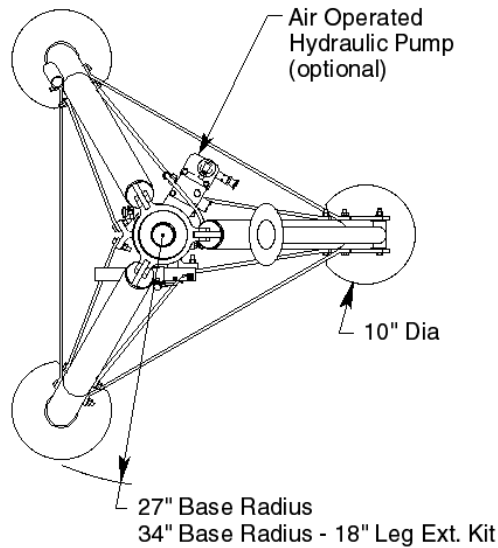
- Manual hand pump with high, medium and low pressure operating positions
- Heavy duty Swivel Casters
- Rain hat (covers jack upper head)
- Hard chrome plated cylinder bore
- All unpainted parts are plated to resist corrosion
- Skydrol resistant paint (safety yellow)
- Factory proof load @ 150% of rated capacity
- Three year standard warranty
- Shipment on domestic skid

Optional Features:

- Air operated hydraulic pump
- Load gauge for load indication (reads tons/psig)
- Tow handle for ease of towing
- 18 inch leg extension kit
- Export crating
- Customer specified paint color

12 Ton Variable Height Tripod Jack

Model 8857



Model 8857 shown with 18" Leg Extension Kit (optional)

For more information contact: sales@malabar.com

12 Ton Variable Height Tripod Jack

Model 8857

Specifications:

Rated Capacity	12 tons (10.9 m. tons)
Side Load.....	15% of vertical load
Roll Under Height	add 1 inch (25mm) to low heights
Low Height.....	42 inches (1067 mm)
Low Height with 18" Leg Extension.....	60 inches (1524 mm)
Hydraulic Lift.....	26 inches (660 mm)
Extension Screw.....	10 inches (254 mm)
Total Extended Height.....	78 inches (1981 mm)
Total Extended Height with 18" Leg Extension.....	96 inches (2438 mm)
Oil Pressure at Rated Capacity.....	2470 psig (174 kg/sq cm)
Safety Pop-off Valve set at.....	13.2 tons (12.0 m. tons)
Proof Load.....	18 tons (16.3 m. tons)
Reservoir Capacity.....	2 gallons (7.6 liters)
Hydraulic Fluid.....	MIL-PRF-5606 or equivalent
Maximum Towing Speed.....	5 mph (8 km/h)
Approximate Jack Net Weight.....	550 lbs (249 kg)

Model 8857 Typical Aircraft Applications:			
Jack Configuration	Forward Fuselage	Aft Fuselage	Longeron Removal
8857	F16	F16*	
8857 with 18" Leg Ext. Kit			F16
*Two 8857 Jacks are required for this application			

Optional Equipment Codes:

(Specify with order)

- AP: Air Operated Hydraulic Pump
- GA: Load Gauge
- TH: Tow Handle
- 18LE: 18" Leg Extension Kit
- SPC: Special Paint Color (yellow is standard)
- 8857PK: Repair Kit

12 Ton Variable Height Tripod Jack

Model 8857

Packaging Codes & Options:

(Specify with order)

- : Domestic Skid – Jack Set-up
- KD: Domestic Skid – Jack Knocked Down (Additional Cost)
- EC: Export Crate – Jack Set-up (Additional Cost)
- ECKD: Export Crate – Jack Knocked Down (Additional Cost)

Shipping Data:

NOTE: Unless otherwise specified, Model 8857 jack is shipped on a wood skid in the set-up condition.
Refer to Malabar Tripod Jack Shipping Supplement for additional packaging information.

Packaging Code	Length inches (mm)	Width inches (mm)	Height inches (mm)	Weight lbs (kg)
-	57 (1448)	48 (1219)	49 (1245)	700 (318)
KD	62 (1575)	40 (1016)	28 (711)	700 (318)
EC	59 (1499)	53 (1346)	52 (1321)	900 (408)
ECKD	64 (1626)	45 (1143)	31 (787)	850 (386)

Shipping Data with 18” Leg Ext. Kit:

NOTE: Unless otherwise specified, Model 8857 jack is shipped on a wood skid in the set-up condition.
Refer to Malabar Tripod Jack Shipping Supplement for additional packaging information.

Packaging Code	Length inches (mm)	Width inches (mm)	Height inches (mm)	Weight lbs (kg)
-	62 (1575)	56 (1422)	67 (1702)	750 (340)
KD	67 (1702)	40 (1016)	28 (711)	750 (340)
EC	64 (1626)	61 (1549)	70 (1778)	950 (431)
ECKD	69 (1753)	45 (1143)	31 (787)	900 (408)