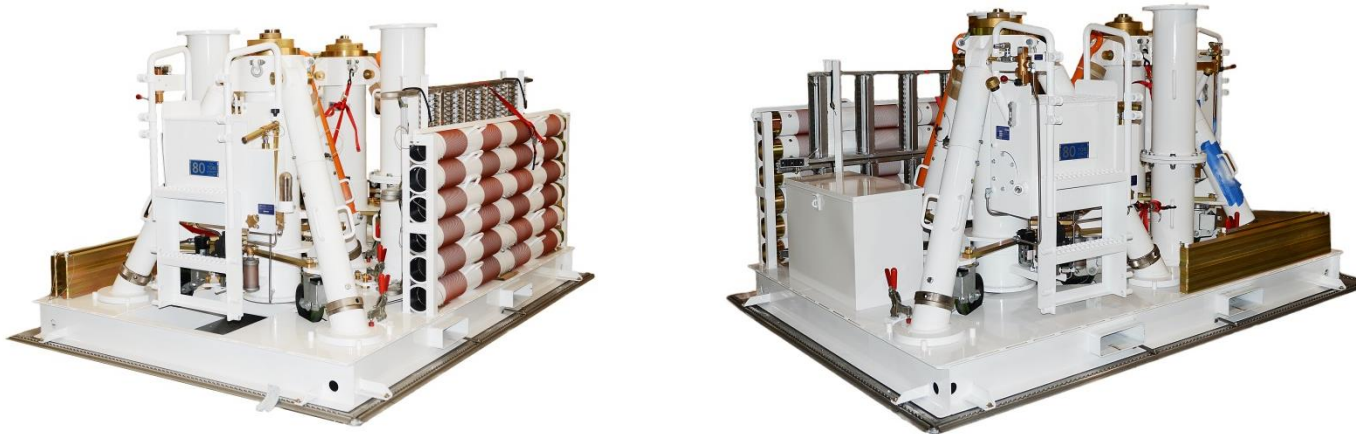


Universal Rapid Deployment Jack Set

Model 8901



The Model 8901 Universal Rapid Deployment Jack Set consists of two pallet racks, each with two Model 8902 Variable Height Tripod Jacks per pallet rack, for a total of four tripod jacks. The kit is attached to two 88 inch x 125 inch standard air cargo pallets (supplied by others). The Malabar Model 8902 Variable Height Tripod Jacks are 80 ton capacity, two stage hydraulic jacks designed primarily for use in aircraft maintenance. Each jack consists of a tripod structure, hydraulic cylinder assembly, reservoir, valve block assembly, hand pump assembly, air pump, adjustable swivel feet, tow handle and swivel casters. Leg extensions, medium braces, long braces, stinger, stinger extension, a ladder and tools are supplied for erecting each jack in all positions.

The jack leg pads are raised off the ground with the spring loaded swivel casters. The casters will retract and the pads rest on the ground when a load is applied to the jack.

Model 8901 is built to withstand harsh environmental conditions, rugged use and to provide many years of continuous service. Our customers are guaranteed a quality product with each purchase and are assured of our continued product support whenever and wherever the need arises.

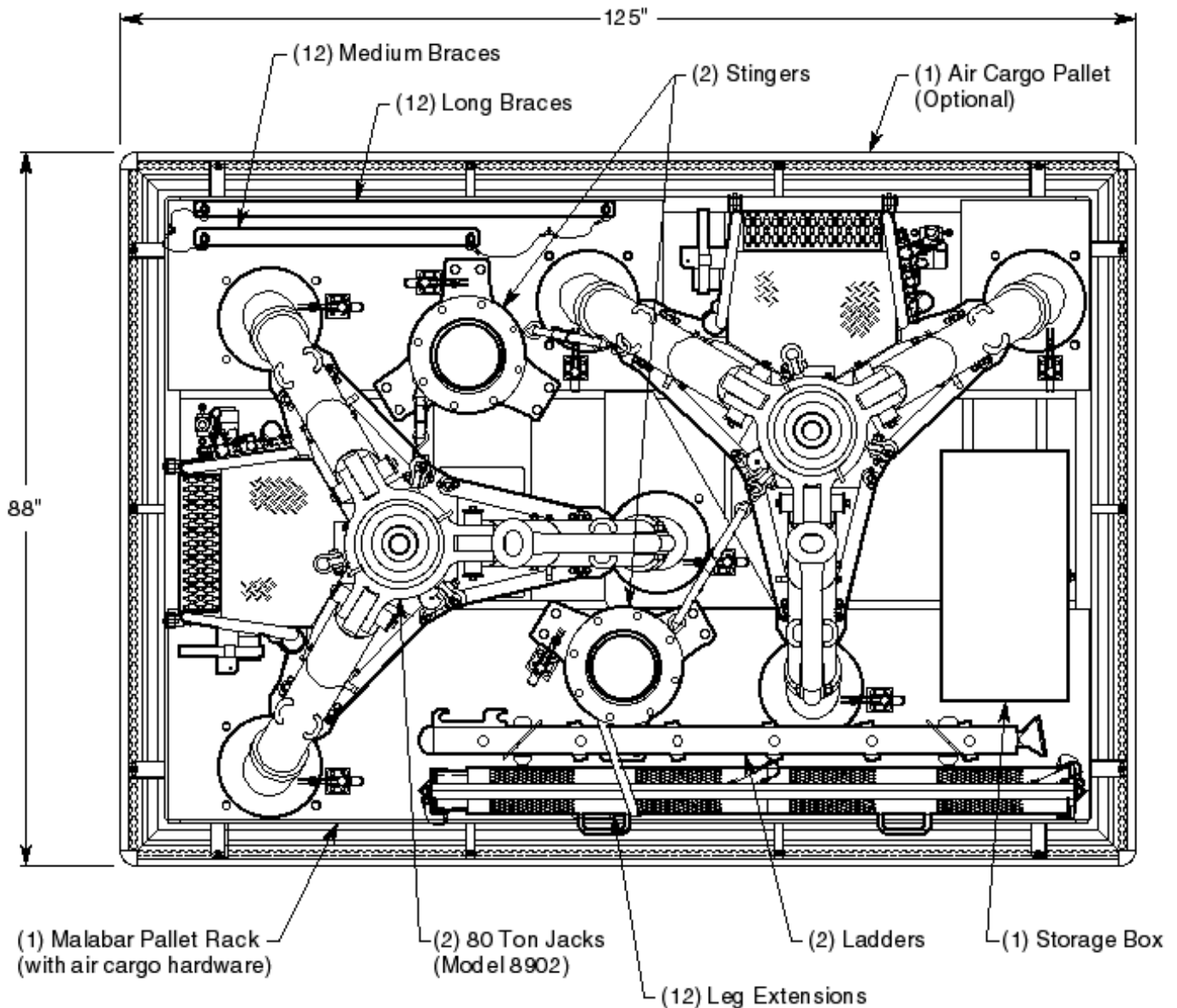
Standard Features:

- Four Model 8902 tripod jacks
- Two pallet racks
- Two 15" x 30" x 21-1/4 storage boxes
- One B777 tail jack extender
- All unpainted parts are plated to resist corrosion
- Skydrol resistant paint (yellow)
- One year standard warranty
- Pallet racks securely store jacks and are ready to be transported on standard 88" x 125" air cargo pallets
- Toggle clamps, quick release pins, and bungee cords are easily removed to rapidly deploy jacks

Optional Features:

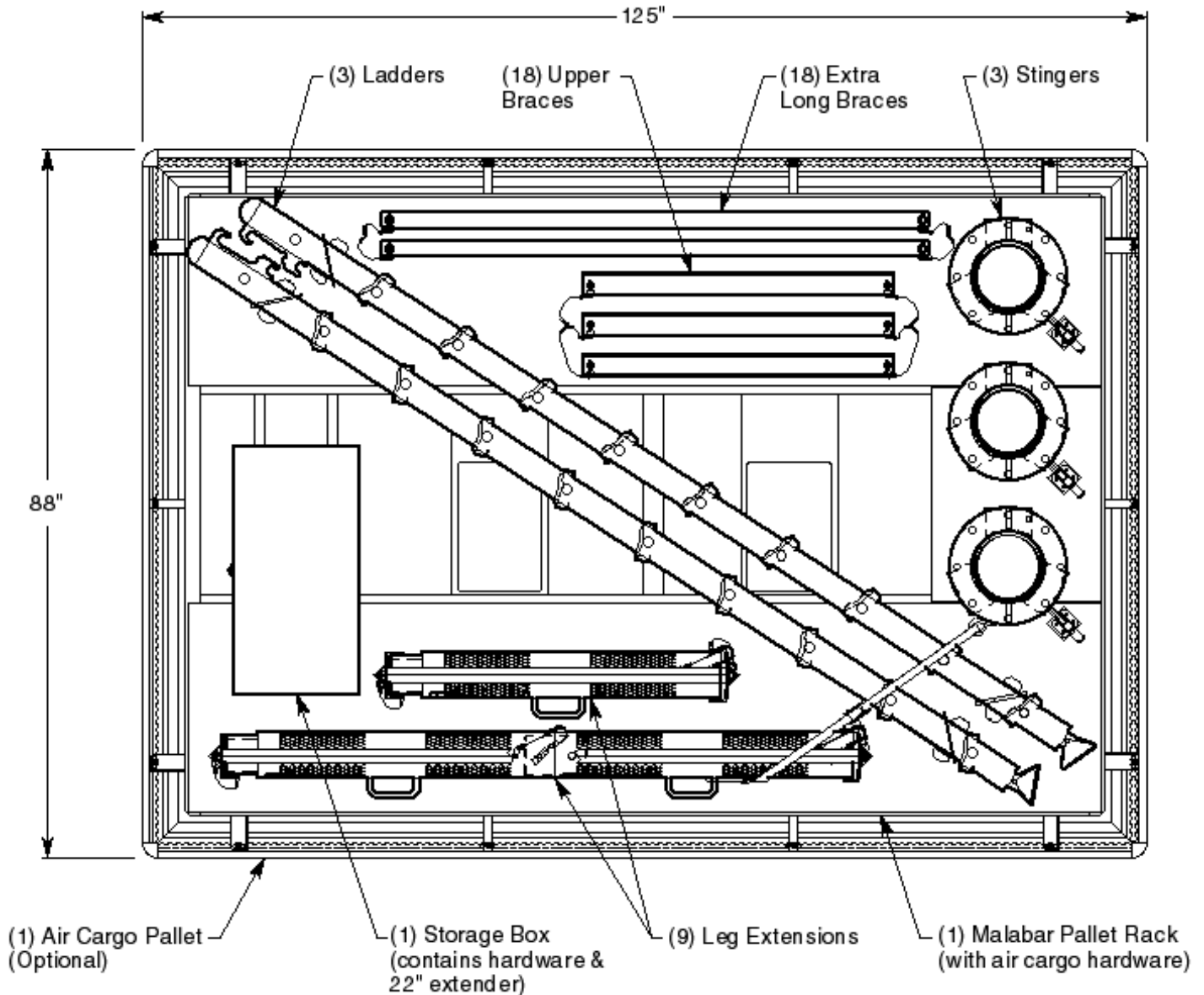
- Four portable load gauge kits
- Two 88" x 125" air cargo pallets
- One jack extender kit (extends three Model 8902 tripod jacks to position 4 configuration. Contains one A330/340/350 tail jack extender)
- Customer specified paint color

Universal Rapid Deployment Jack Set Model 8901



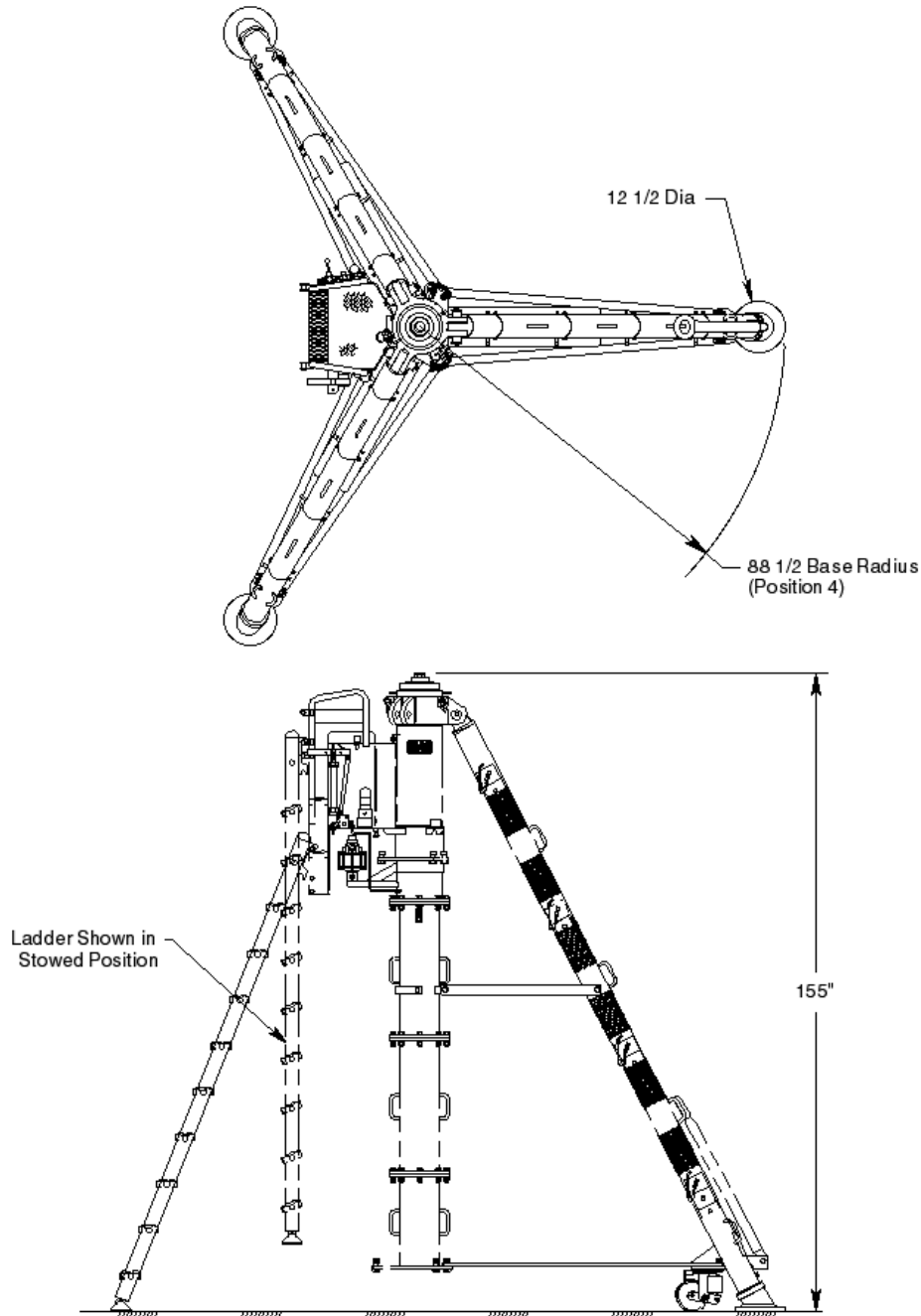
Example of Pallet Rack Layout
(Half of a Set Shown)

Universal Rapid Deployment Jack Set Model 8901



Optional Jack Extender Kit Pallet Rack Layout (for A330/340/350)

Universal Rapid Deployment Jack Set Model 8901



Model 8902 shown with Jack Extender Kit Option
(Position 4)

Universal Rapid Deployment Jack Set

Model 8901

8902 Position 4 Specifications:

Rated Capacity	80 tons (72.6 m. tons)
Position 4 Side Load:.....	15% of vertical load
Position 4 Roll Under Height	156.5 inches (3975 mm)
Position 4 Low Height.....	155 inches (3937 mm)
Hydraulic Lift:	76 inches (1930 mm)
Extension Screw:.....	15 inches (381 mm)
Position 4 total Extended Height	246 inches (6248 mm)
Oil Pressure at Rated Capacity	3622 psig (255 kg/sq cm)
Safety Pop-off Valves	
System Relief Valve set at	88 tons (79.8 m. tons)
Thermal Relief Valve set at	100 tons (90.7 m. tons)
Proof Load	120 tons (108.9 m. tons)
Reservoir Capacity	23 gallons (87 liters)
Hydraulic Fluid.....	MIL-PRF-5606 or equivalent
Maximum towing Speed	5 mph (8 km/h)
Position 4 Jack Net Weight Dry.....	4200 lbs (1905 kg)

Jack Set Weights:

**Weight includes optional Portable Load Gauge Kit and Air Cargo Pallet*

Pallet Rack without B777 Tail Jack Extender Net Weight*	
Dry	8715 lbs (3953 kg)
Wet	9060 lbs (4110 kg)
Pallet Rack with B777 Tail Jack Extender Net Weight*	
Dry	8780 lbs (3983 kg)
Wet	9125 lbs (4139 kg)
Optional Jack Extender Kit pallet Rack Net Weight	3500 lbs (1588 kg)

Universal Rapid Deployment Jack Set

Model 8901

Model 8902 Typical Aircraft Applications:

Aircraft	Recommended Jack Position			
	Position 1	Position 2	Position 3	Position 4*
A300/310	X	Nose	Wing/Tail	X
A318/319/320/321	Nose	Wing/Tail	X	X
A330/340 (NOTE 5)	X	Nose	X	Wing/Tail
A350 (NOTE 6)	X	Nose	X	Wing/Tail
B737-100 to -900ER	Wing/Nose	Tail	X	X
B757-200/-300	X	Nose/Tail	Wing	X
B767-200 TO -400ER	X	Nose/Body	Tail	X
B787 (NOTE 2)	X	Nose/Body	Tail	X
B777 (NOTE 3)	X	Wing	Nose/Tail	X
MD10/MD11 (NOTE 4)	X	Nose	Wing	X
MD80/MD90 (NOTE 1)	Wing/Tail	X	X	X

*Requires use of Jack Extender Kit Option (P/N 890110) for A330/340/350.

NOTES:

1. Select Malabar Model 7210B for MD80/90 auxiliary Nose Jack Point.
2. Limit aircraft gross weight to 362,500 lbs or 94% of max gross weight for jacking.
3. Install 14" Extender for Tail Jack and limit aircraft gross weight to 350,000 lbs or 75% of max gross weight for jacking.
4. Limit aircraft gross weight to 340,000 lbs or 72% of max gross weight for jacking.
5. Select Jack Extender Kit and install 22" Extender for Tail Jack and limit aircraft gross weight to 324,600 lbs or 96% of max gross weight for jacking.
6. Select Jack Extender Kit and install 22" Extender for Tail Jack and limit aircraft gross weight to 335,900 lbs or 93% of max gross weight for jacking.

Universal Rapid Deployment Jack Set

Model 8901

Optional Equipment Codes:

(Specify with order)

- JEK: Jack extender Kit P/N 890110 (suitable for three jacks)
- LGK: Portable Load Gauge Kit P/N 890215
- NBCP: 88" x 125" Air Cargo Pallet P/N 499-171 (specify two or three pallets)
- SPC: Special Paint Color (yellow is standard)

Shipping Data:

NOTE: Unless otherwise specified, Model 8901 two-piece jack set is shipped in the set-up condition.
Refer to Malabar Tripod Jack Shipping Supplement for additional packaging information.

Length inches (mm)	Width inches (mm)	Height inches (mm)	Weight inches (mm)	Total Set Weight lbs (kg)
125 (3175)	88 (2235)	64½ (1638)	*8715 (3953) **8780 (3983)	17495 (7936)

- * Weight of Pallet Rack without B777 Tail Jack Extender
- ** Weight of Pallet Rack with B777 Tail Jack Extender

Optional Jack Extender Kit Shipping Data

Length inches (mm)	Width inches (mm)	Height inches (mm)	Weight inches (mm)
125 (3175)	88 (2235)	54½ (1384)	3500 (1588)