

# B787 Coolant Top-Off Pack

## Model PF56180



The Model PF56180 B787 Coolant Top-Off Pack (CTOP) is designed in accordance with B787 system & equipment engineering specifications to meet the special servicing requirements of the aircraft environmental control systems (PECS, ICS, FCAC).

To facilitate connections to the various aircraft systems, a K-Tool Adapter Kit p/n K21016-129 can be obtained from Malabar.

Model PF56180 is built to withstand harsh environmental conditions, rugged use and to provide many years of continuous service. Our customers will receive a quality product with each purchase and are assured of our continued product support whenever and wherever the need arises.

### Standard Features:

- Towable unit with stainless steel fluid reservoirs
- Clean fluid reservoir
- Waste fluid reservoir
- Manual hand pump and integral relief valve
- Inline fluid sight gauges
- Fluid filter
- Delivery pressure gauge
- Fluid level indicators
- Fluid hoses
- All materials are compatible with BMS3-42 fluid

### Standard Features (Cont'd)

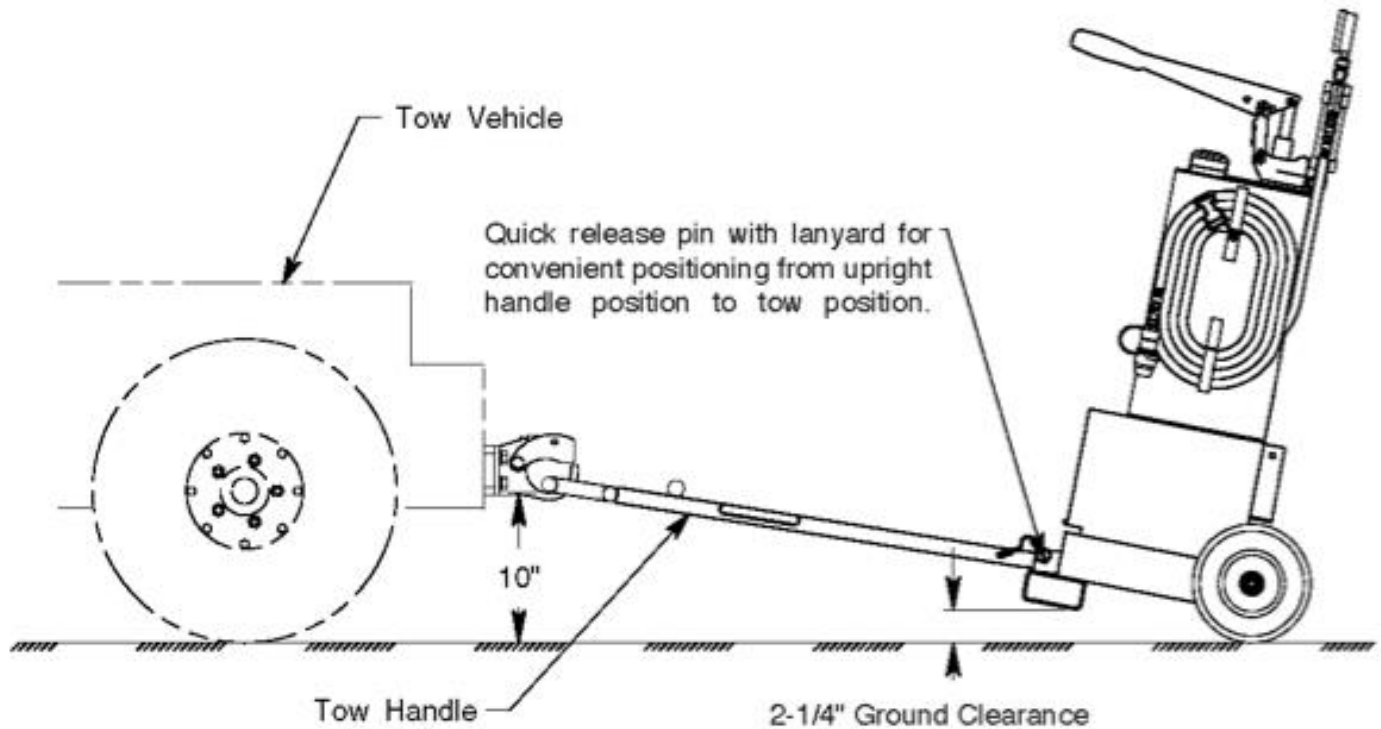
- Integrated storage enclosure for K-Tools adapter set K21026-129
- 1 year standard warranty
- Shipped in a crate

### Optional Features:

- Handle
- Customer specified paint color

# B787 Coolant Top-Off Pack

## Model PF56180



### Specifications:

Fluid.....	BMS3-42 fluid
Clean Fluid Capacity.....	6 gallons (22.7 liters)
Waste Fluid Capacity.....	3 gallons (11.4 liters)
Pump Displacement per Stroke.....	3 cu inches (1.7 fl oz)
Pump Outlet Pressure.....	50-200 psig (3.5-14.1 kg/sq cm)
Supply/Return Hose Length (2).....	240 inches (6096 mm)
Relief Valve Set At.....	70 psig (4.9 kg/sq cm)
Maximum Towing Speed.....	10 mph (16 km/h)
Approximate Dry Weight.....	100 lbs (45.4 kg)

### Optional Accessory Codes:

(Specify with order)

K21016-129: K-Tool Adapter Kit

# B787 Coolant Top-Off Pack

Model PF56180

## Optional Equipment Codes:

*(Specify with order)*

HD: Handle  
SPC: Special Paint Color

### **Shipping Data:**

NOTE: Unless otherwise stated, Model PF56180 is shipped in a standard crate.

<b>Length</b> inches (mm)	<b>Width</b> inches (mm)	<b>Height</b> inches (mm)	<b>Weight</b> lbs (kg)
26 (661)	34 (864)	52 (1321)	250 (114)