

## Malabar Coolant Top-Off Pack (CTOP) for B787 Model PF56180

### For B787 Aircraft Coolant Systems

The Malabar B787 Coolant Top-Off Pack is designed in accordance with B787 System & Equipment Engineering specifications to meet the special servicing requirements of the aircraft Environmental Control Systems (PECS, ICS, FCAC).

The K-Tools adapter set for connection to the aircraft is also available. Our customers are guaranteed a quality product with each purchase and are assured of our continued product support whenever and wherever the need arises. Malabar International's Quality Management System is certified to ISO 9001:2008.



### ***Coolant Top-Off Pack (CTOP) Includes:***

- Towable unit with stainless steel fluid reservoirs
- Clean fluid reservoir
- Waste fluid reservoir
- Manual hand pump and integral relief valve
- Inline fluid sight gauges
- Fluid filter
- Delivery pressure gauge
- Fluid level indicators
- Fluid hoses
- All materials are compatible with BMS3-42 fluid
- Integrated storage enclosure for optional K-Tools adapter set K21016-129

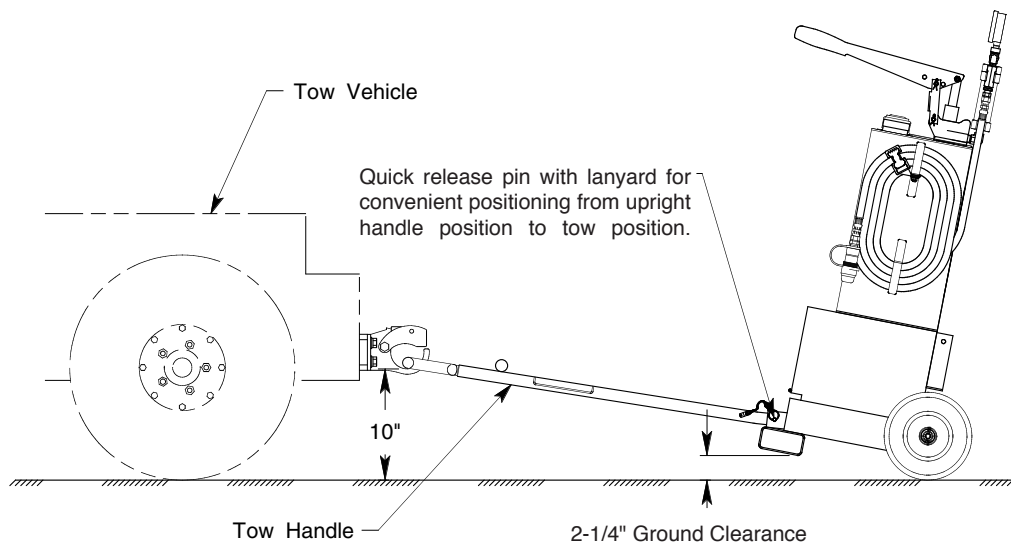
# Model PF56180 Coolant Top-Off Pack (CTOP) for B787

## Specifications

- Fluid ..... BMS3-42 fluid
- Clean fluid capacity ..... 6 gal (22.7 liters)
- Waste fluid capacity ..... 3 gal (11.4 liters)
- Pump displacement per stroke..... 3 cu in (1.7 fl oz)
- Pump outlet pressure ..... 50-200 psig (3.5-14.1 kg/sq cm)
- Supply/return hose length (2)..... 240 in (6096 mm)
- Relief valve set at..... 70 psig (4.9 kg/sq cm)
- Max towing speed ..... 10 mph (16 km/h)
- Approx. dry weight..... 100 lbs (45.4 kg)

## Shipping Data

- Unit length ..... 26 in (660 mm)
- Unit width ..... 34 in (864 mm)
- Unit height ..... 52 in (1321 mm)
- Weight ..... 250 lbs (113 kg)



220 W. Los Angeles Ave.  
Simi Valley, CA 93065 USA  
Tel: 1 805 581 1200  
Fax: 1 805 584 1624  
www.malabar.com

**MALABAR**<sup>™</sup>  
**INTERNATIONAL**