

2-Gallon Skydrol or HyJet Dispenser

Model 260



The Model 260 Skydrol or HyJet Dispenser is a 2 gallon fluid dispenser used to service various commercial aircraft hydraulic systems. The hand pump dispenser consists of a reservoir, pump assembly, filter assembly and a fluid delivery hose.

Model 260 is built to withstand harsh environmental conditions and rugged use, and to provide many years of continuous service. Our customers are guaranteed a quality product with each purchase and are assured of our continued product support whenever and wherever the need arises.

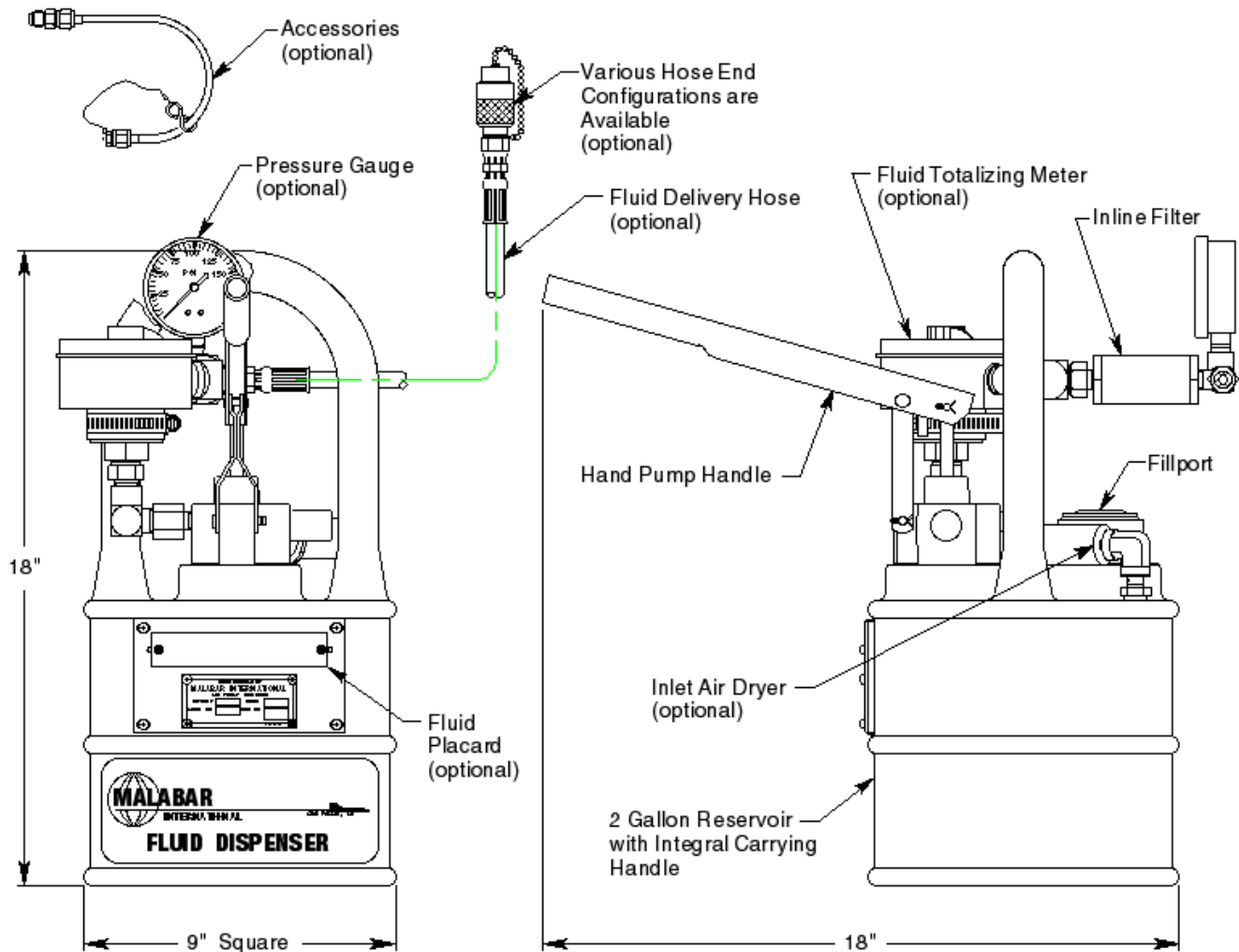
Standard Features:

- Durable, lightweight and portable 2 gallon capacity reservoir with integral carrying handle made from specially formulated "HS" crosslinked polyethylene material that is impervious to petroleum based fluids, hydraulic fluids, UV, solvents and cleaning solutions. "HS" units maintain a very high impact strength even at sub-zero temperatures and are available in several colorfast colors for easy identification of proper fluid type.
- Manual hand pump and inline filter to dispense clean filtered aircraft fluids into aircraft systems
- Large fillport
- 1 year standard warranty
- Fully enclosed shipping container

Optional Features:

- "HS" polyethylene colorfast colors or polished stainless steel fluid tanks
- 3 micron absolute filter
- Mechanical fluid totalizing meters
- Discharge pressure gauge
- Lockable fillport / inlet air dryer
- Various phosphate ester fluid placards are available to ensure compliance with customer and aircraft manufacturer's line maintenance requirements
- Standard and special hose end fittings and couplings
- Accessories and repair kits

2-Gallon Skydrol or HyJet Dispenser Model 260



Specifications:

Fluid Type	Skydrol or HyJet
Fluid Capacity	2 Gallon (7.6 liters)
Unit Displacement per Stroke.....	2.5 cu. inches (41 cc)
Maximum Pump Outlet Pressure	100 psig (7 kg/sq cm)
Standard Hose Length.....	84 inches (2134 mm)
Standard Filter Rating.....	2-3 micron nominal
Net Weight "HS" Tank	12 lbs (5.4 kg)
Net Weight Stainless Steel Tank.....	18 lbs (8.2kg)

2-Gallon Skydrol or HyJet Dispenser

Model 260

Model 260 Typical Aircraft Applications:

Skydrol or HyJet Fluid for Aircraft Hydraulic Systems

Ordering Code: 260P-01-1-0-1-01-0-0-A

FLUID TANK CONFIGURATION

260P: Polyethylene, Purple
260S: Stainless Steel, Polished

FLUID DESIGNATION & PLACARD

00: No Fluid Placard
01: Skydrol 500
02: Phosphate Ester Hydraulic Fluid
03: Skydrol / HyJet IV Fluid
04: HyJet IV Fluid
05: Skydrol LD4
06: Skydrol 5 Type V Fluid
07: HyJet V Fluid
XX: Other (contact Malabar Sales)

FILTER TYPE

1: Standard Filter
2: 3 Micron Absolute Filter

FLUID TOTALIZING METER

0: No Fluid Meter
1: Mechanical Meter, quarts & pints
2: Mechanical Meter, liters
3: Discontinued

DELIVERY HOSE

0: No Delivery Hose
1: Standard Hose, 84" (7 ft.) long
2: Special Hose, 120" (10 ft.) long
3: Special Hose, 240" (20 ft.) long
X: Other (contact Malabar Sales)

*ACCESSORIES (Optional)

A: ¼ "U" Tube with "B" Nut (PF53681) & Dust Plug
B: Repair Kit
XX: Other (contact Malabar Sales)
 *Accessories are supplied as separate line items

FILL PORT / INLET AIR DRYER

0: No Locking Port & No Air Dryer
1: Locking Fillport Only
2: Inlet Air Dryer & Non-Vented Fillport

PRESSURE GAUGE

0: No Pressure Gauge
1: Standard Pressure Gauge
2: Discontinued

HOSE END CONFIGURATION

00: No Hose End Configuration
01: 9/16-18 UNF 37° Female Swivel
02: 1000-123 Coupling (716-022) & Dust Plug
03: 1000-123 Coupling (716-022) with Swage Sleeve & Dust Plug
04: 9/16-18 UNF 37° Female Swivel with 45° Elbow (PF53686)
05: AE307002S5-6D Coupling (736-018) with 45° Elbow (PF53686) & Dust Plug
06: AE320516-4 Coupling (736-034) & Dust Plug
07: AE99148E Coupling (736-030) & Dust Plug with ¼ Straight Tube Connector (PF55668)
08: AE015503S5-8D Coupling (736-036) & Dust Plug
09: AE91367E Coupling (736-093) & Dust Plug
10: AE014503S5-20D Coupling (736-017) & Dust Plug
11: AQ306503S5-6D Coupling (736-041) & Dust Plug
12: AE96235E (736-183) & Dust Plug
13: 015567S5-4D Coupling (736-187) & Dust Plug (736-042)
XX: Other (contact Malabar Sales)

Shipping Data:

Length inches (mm)	Width inches (mm)	Height inches (mm)	Weight lbs (kg)
12 (305)	12 (305)	25 (635)	29 (13)