

2 Gallon Hydraulic MIL-PRF-5606 Dispenser

Model 270



The Model 270 Hydraulic MIL-PRF-5606 Dispenser is a 2 gallon fluid dispenser used to service various commercial aircraft hydraulic systems. The hand pump dispenser consists of a reservoir, pump assembly, filter assembly and a fluid delivery hose.

Model 270 is built to withstand harsh environmental conditions and rugged use, and to provide many years of continuous service. Our customers are guaranteed a quality product with each purchase and are assured of our continued product support whenever and wherever the need arises.

Standard Features:

- Durable, lightweight and portable 2 gallon capacity reservoir with integral carrying handle made from specially formulated "HS" crosslinked polyethylene material that is impervious to petroleum based fluids, hydraulic fluids, UV, solvents and cleaning solutions. "HS" units maintain a very high impact strength even at sub-zero temperatures and are available in several colorfast colors for easy identification of proper fluid type.
- Manual hand pump and inline filter to dispense clean filtered aircraft fluids into aircraft systems
- Large fillport
- 1 year standard warranty
- Fully enclosed shipping container

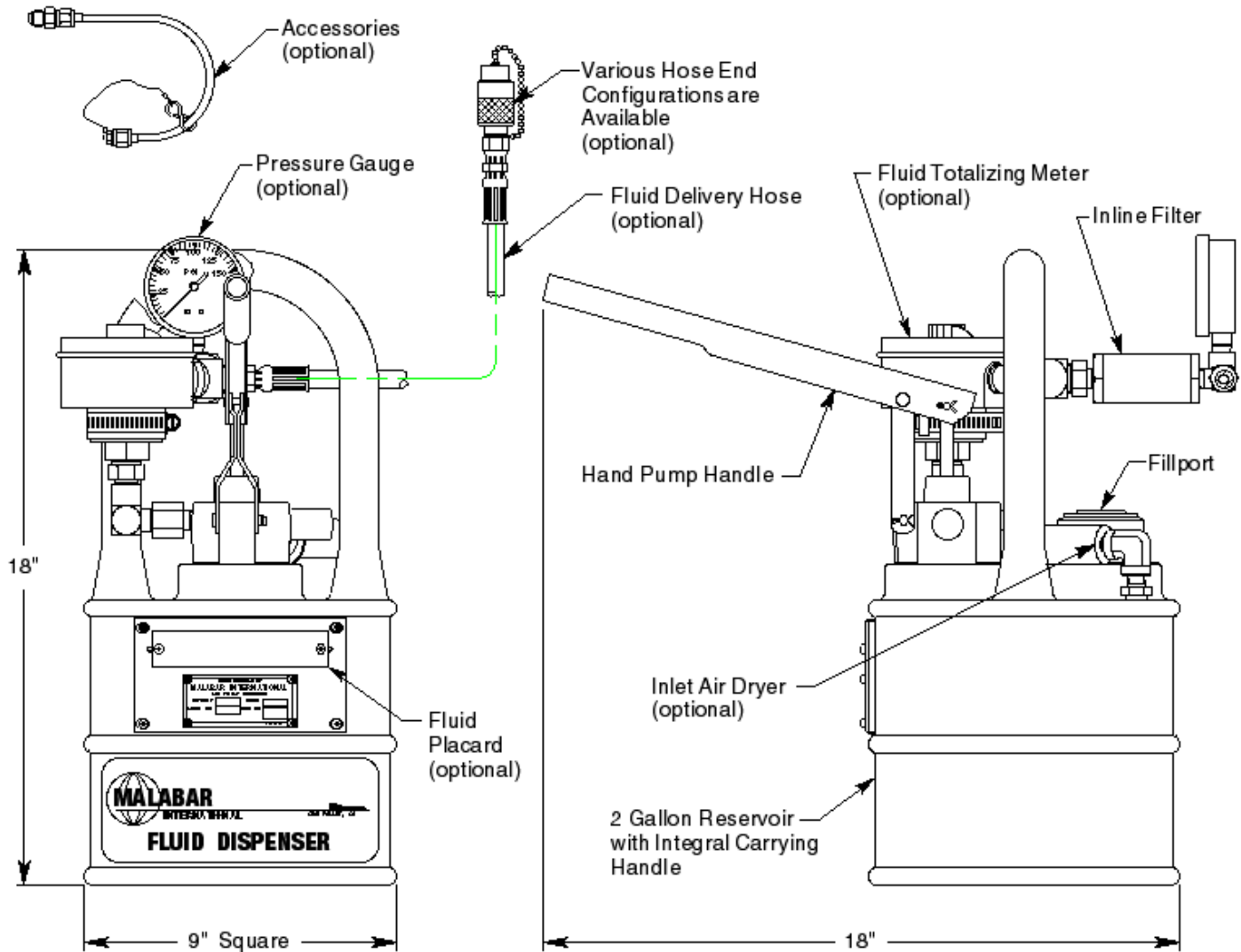
Standard Features (Cont'd)

- "HS" polyethylene colorfast colors or polished stainless steel fluid tanks
- 3 micron absolute filter or 1 micron waterstop filter
- Mechanical fluid totalizing meters
- Discharge pressure gauge
- Lockable fillport / inlet air dryer
- Various hydraulic oil fluid placards are available to ensure compliance with customer and aircraft manufacturer's line maintenance requirements
- Standard and special hose end fittings and couplings
- Delivery hose compatible with dispensed fluid

Optional Features:

- Accessories and repair kits

2 Gallon Hydraulic MIL-PRF-5606 Dispenser Model 270



Specifications:

Fluid Type	MIL-PRF-5606 or equal
Fluid Capacity	2 Gallon (7.6 liters)
Unit Displacement per Stroke	2.5 cu. inches (41 cc)
Maximum Pump Outlet Pressure	100 psig (7 kg/sq cm)
Standard Hose Length.....	84 inches (2134 mm)
Standard Filter Rating.....	2-3 micron nominal
Net Weight "HS" Tank	12 lbs (5.4 kg)
Net Weight Stainless Steel Tank.....	18 lbs (8.2kg)

2 Gallon Hydraulic MIL-PRF-5606 Dispenser

Model 270

Model 270 Typical Aircraft Applications:

MIL-PRF-5606 or Equal Fluids for Aircraft Struts & Hydraulic Systems

Ordering Code: 270R-01-1-0-1-01-0-0-A

<p>FLUID TANK CONFIGURATION</p> <p>270R: Polyethylene, Red 270S: Stainless Steel, Polished</p> <p>FLUID DESIGNATION & PLACARD</p> <p>00: No Fluid Placard 01: MIL-PRF-5606 02: MIL-PRF-5606 Landing Gear Oil 03: Gear Strut 04: MIL-PRF-83282 05: Castrol 35 06: MIL-PRF-23699 07: MIL-PRF-87257 XX: Other (contact Malabar Sales)</p> <p>FILTER TYPE</p> <p>1: Standard Filter 2: 3 Micron Absolute Filter 3: 1 Micron Nominal Waterstop Filter</p> <p>FLUID TOTALIZING METER</p> <p>0: No Fluid Meter 1: Mechanical Meter, quarts & pints 2: Mechanical Meter, liters 3: Discontinued</p> <p>DELIVERY HOSE</p> <p>0: No Delivery Hose 1: Standard Hose, 84" (7 ft.) long 2: Special Hose, 120" (10 ft.) long 3: Special Hose, 240" (20 ft.) long X: Other (contact Malabar Sales)</p>	<p>*ACCESSORIES (Optional)</p> <p>A: Repair Kit XX: Other (contact Malabar Sales) *Accessories are supplied as separate line items</p> <p>FILL PORT / INLET AIR DRYER</p> <p>0: No Locking Port & No Air Dryer 1: Locking Fillport Only 2: Inlet Air Dryer & Non-vented Fillport</p> <p>PRESSURE GAUGE</p> <p>0: No Pressure Gauge 1: Standard Pressure Gauge 2: Discontinued</p> <p>HOSE END CONFIGURATION</p> <p>00: No Hose End Configuration 01: 9/16-18 UNF 37° Female Swivel 02: 100 Coupling (736-010) & Dust Plug 03: 6116 Coupling (719-045) 04: 7/16-20 UNF 37° Female Swivel 05: 9/16-18 UNF 37° Female Swivel & Dust Plug 06: AE99144G Coupling (736-069) & Dust Plug XX: Other (contact Malabar Sales)</p>	<p>ACCESSORIES</p>
---	---	---------------------------

Shipping Data:

Length inches (mm)	Width inches (mm)	Height inches (mm)	Weight lbs (kg)
12 (305)	12 (305)	25 (635)	29 (13)