

# 2 Gallon Hydraulic MIL-PRF-5606 Dispenser

## Model 275



The Model 275 Hydraulic MIL-PRF-5606 Dispenser is a 2 gallon fluid dispenser used to service the DC-10 cargo door snubber. The hand pump dispenser consists of a reservoir, pump assembly, filter assembly, check valve, relief valve, by-pass valve and a fluid delivery hose.

Model 275 is built to withstand harsh environmental conditions and rugged use, and to provide many years of continuous service. Our customers are guaranteed a quality product with each purchase and are assured of our continued product support whenever and wherever the need arises.

### Standard Features:

- Durable, lightweight and portable 2 gallon capacity reservoir with integral carrying handle made from specially formulated "HS" crosslinked polyethylene material that is impervious to petroleum based fluids, hydraulic fluids, UV, solvents and cleaning solutions. "HS" units maintain a very high impact strength even at sub-zero temperatures and are available in several colorfast colors for easy identification of proper fluid type.
- Manual hand pump and inline filter to dispense clean filtered aircraft fluids into aircraft systems
- Large fillport
- 1 year standard warranty
- Fully enclosed shipping container

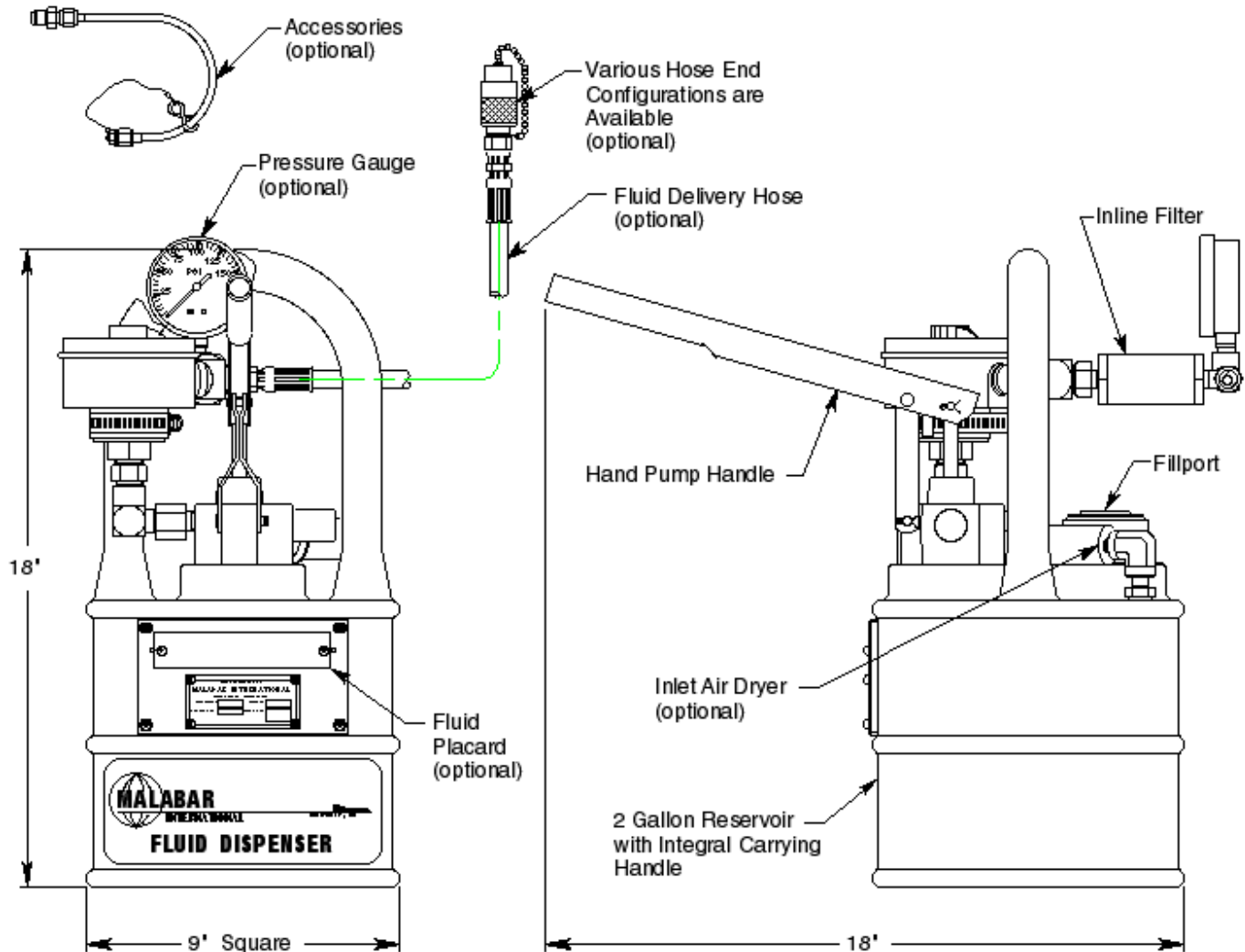
### Standard Features (Cont'd)

- "HS" polyethylene colorfast colors or polished stainless steel fluid tanks
- 3 micron absolute filter
- Discharge pressure gauge
- Lockable fillport
- Various hydraulic oil fluid placards are available to ensure compliance with customer and aircraft manufacturer's line maintenance requirements
- Standard and special hose end fittings and couplings
- Delivery hose compatible with dispensed fluid

### Optional Features:

- Accessories and repair kits

# 2 Gallon Hydraulic MIL-PRF-5606 Dispenser Model 275



## Specifications:

Fluid Type .....	MIL-PRF-5606 or equivalent
Fluid Capacity .....	2 Gallon (7.6 liters)
Unit Displacement per Stroke.....	1.4 cu. inches (23 cc)
Maximum Pump Outlet Pressure .....	500 psig (35 kg/sq cm)
Standard Hose Length.....	84 inches (2134 mm)
Standard Filter Rating.....	2-3 micron nominal
Net Weight "HS" Tank .....	16 lbs (7.3 kg)
Net Weight Stainless Steel Tank.....	22 lbs (10.0 kg)

# 2 Gallon Hydraulic MIL-PRF-5606 Dispenser

## Model 275

### Model 275 Typical Aircraft Applications:

MIL-PRF-5606 or Equal Fluids for Aircraft Systems

### Ordering Code: 275R-01-1-1-01-0-0-A

#### FLUID TANK CONFIGURATION

**275R:** Polyethylene, Red  
**275S:** Stainless Steel, Polished

#### FLUID DESIGNATION & PLACARD

**01:** No Fluid Placard  
**02:** DC10 Cargo Door Snubber  
MIL-PRF-5606 Fluid  
**03:** MIL-PRF-5606  
**XX:** Other (contact Malabar Sales)

#### FILTER TYPE

**1:** Standard Filter  
**2:** 3 Micron Absolute Filter

#### DELIVERY HOSE

**0:** No Delivery Hose  
**1:** Standard Hose, 84" (7 ft) long  
**2:** Special Hose, 120" (10 ft) long  
**3:** Special Hose, 240" (20 ft) long  
**X:** Other (contact Malabar Sales)

#### \*ACCESSORIES (Optional)

**A:** Repair Kit  
**XX:** Other (contact Malabar Sales)

\*Accessories are supplied as separate line items

#### LOCKABLE FILLPORT

**0:** No Locking Port  
**1:** Locking Fillport Only

#### PRESSURE GAUGE

**0:** No Pressure Gauge  
**1:** Standard Pressure Gauge  
**2:** Discontinued

#### HOSE END CONFIGURATION

**00:** No Hose End Configuration  
**01:** 9/16-18 UNF 37° Female Swivel  
**02:** 100 Coupling Modified (PF55567), Bleed Valve  
Adapter (PF55292) & Dust Plug  
**03:** 6116 Coupling (719-045)  
**XX:** Other (contact Malabar Sales)

### Shipping Data:

Length inches (mm)	Width inches (mm)	Height inches (mm)	Weight lbs (kg)
12 (305)	12 (305)	25 (635)	29 (13)