

5 Gallon Skydrol or HyJet Dispenser

Model 365

The Model 365 Skydrol or HyJet Dispenser is a 5 gallon fluid dispenser used to service various commercial aircraft hydraulic systems. The fluid dispenser consists of a reservoir, pump assembly, filter assembly, relief valve, shut off valve, pressure gauge and fluid delivery hose.

Model 365 is built to withstand harsh environmental conditions and rugged use, and to provide many years of continuous service. Our customers are guaranteed a quality product with each purchase and are assured of our continued product support whenever and wherever the need arises.

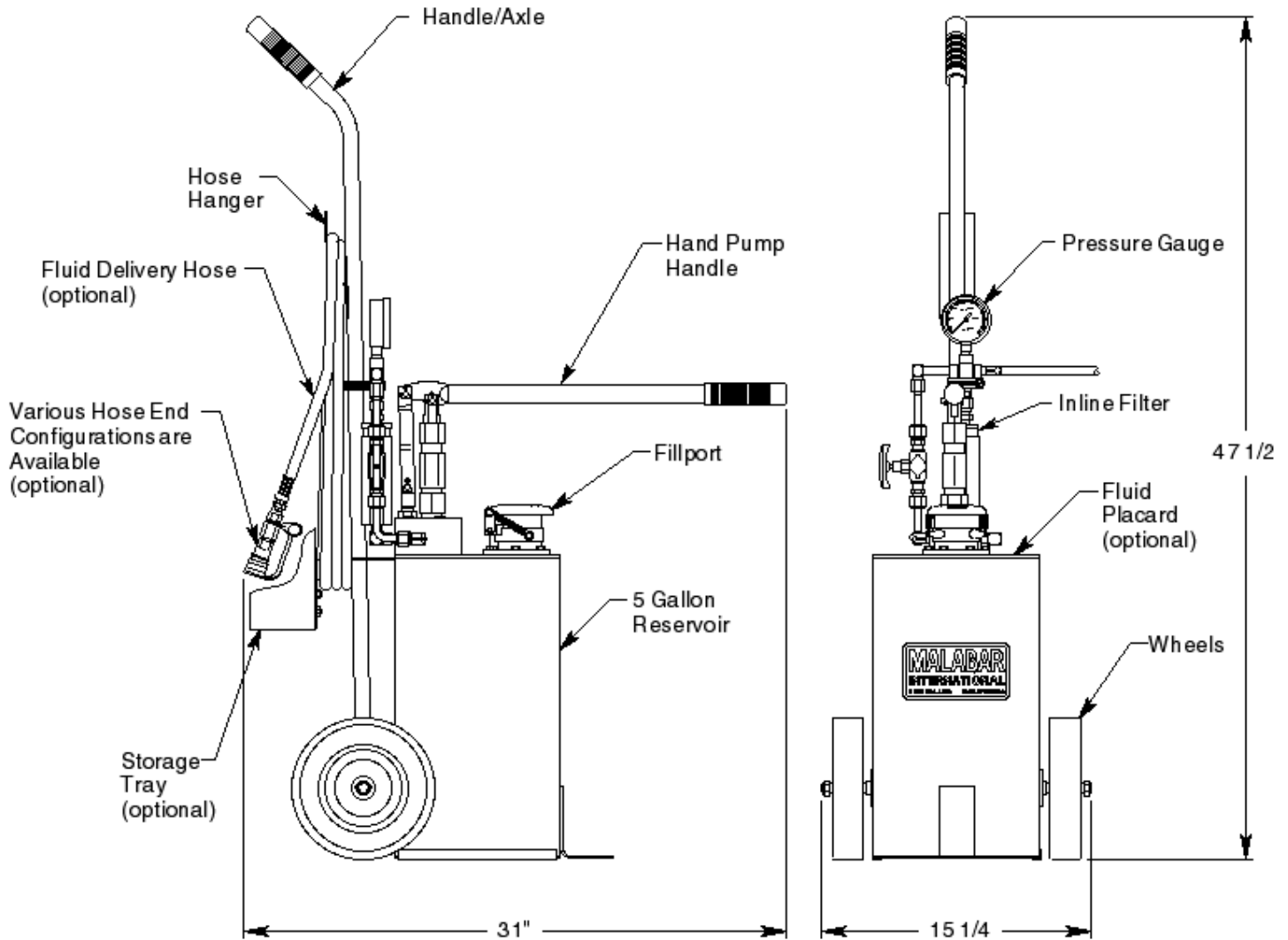
Standard Features:

- Durable, lightweight and portable 5 gallon capacity stainless steel reservoir with integral stainless steel handle / axle assembly and wheels
- Manual hand pump and inline filter to dispense clean filtered aircraft fluids into aircraft systems
- Discharge pressure gauge
- Large fillport
- 1 year standard warranty
- Fully enclosed shipping container

Optional Features:

- 3 micron absolute filter
- Mechanical fluid totalizing meters
- Lockable fillport / storage tray
- Various phosphate ester fluid placards are available to ensure compliance with customer and aircraft manufacturer's line maintenance requirements
- Standard and special hose end fittings and couplings
- Polyurethane wheels
- Accessories and repair kits

5 Gallon Skydrol or HyJet Dispenser Model 365



Specifications:

Fluid Type	Skydrol or HyJet
Fluid Capacity	5 Gallon (18.9 liters)
Unit Displacement per Stroke.....	2.5 cu inches (44 cc)
Maximum Pump Outlet Pressure	2500 psig (176 kg/sq cm)
Standard Hose Length.....	240 inches (6096 mm)
Standard Filter Rating.....	2-3 micron nominal
Net Weight "HS" Tank	55 lbs (25 kg)

5 Gallon Skydrol or HyJet Dispenser

Model 365

Model 365 Typical Aircraft Applications:

Skydrol or HyJet Fluid For Aircraft Hydraulic Systems

Ordering Code: 365S-01-1-1-01-0-0-0-A

FLUID TANK CONFIGURATION

365S: Stainless Steel, Polished

FLUID DESIGNATION & PLACARD

00: No Fluid Placard
01: Skydrol 500
02: Phosphate Ester Hydraulic Fluid
03: HyJet IV Fluid
XX: Other (contact Malabar Sales)

FILTER TYPE

1: Standard Filter
2: 3 Micron Absolute Filter

DELIVERY HOSE

0: No Delivery Hose
1: Standard Hose, 240" (20 ft.) long
X: Other (contact Malabar Sales)

***ACCESSORIES (Optional)**

A: Repair kit
XX: Other
 *Accessories are supplied as separate line items

WHEELS

1: Standard Rubber Wheels
2: Polyurethane Wheels

FILL PORT / STORAGE TRAY

0: No Locking Port & No Storage Tray
1: Locking Fillport Only
2: Storage Tray Only
3: Storage Tray & Locking Fillport

PRESSURE GAUGE

1: Standard Pressure Gauge
2: Discontinued

HOSE END CONFIGURATION

00: No Hose end Configuration
01: 7/16-20 UNF 37° Female Swivel
02: Bleed Valve Adapter (PF55292) & Dust Plug
03: 6116 Coupling (719-045)
XX: Other (contact Malabar Sales)

Shipping Data:

Length inches (mm)	Width inches (mm)	Height inches (mm)	Weight lbs (kg)
22 (559)	17 (432)	49 (1244)	62 (28)