

150 Ton Portable Tripod Jack Test Fixture

Model 8429E

The Model 8429E 150 Ton Portable Axle & Tripod Jack Test Fixture is designed to test Malabar axle jacks and tripod jacks up to their safety pop-off valve settings, thus enabling checking of safety pop-off valve settings. This test fixture is also designed to test hydraulic system integrity and verify load gauge accuracy.

Model 8429E is built to withstand harsh environmental conditions, rugged use and to provide many years of continuous service. Our customers are guaranteed a quality product with each purchase and are assured of our continued product support whenever and wherever the need arises.

Standard Features:

- Rugged steel load bars, pins and test head
- Integral lift bar for easy positioning on jack
- 150 ton capacity electronic load cell
- Hand held measuring instrument
- 50 foot long cable to connect measuring instrument to load cell
- Battery operated with four "AAA" size batteries
- Easy "zero" and "span" adjustments
- Measuring instrument includes shunt-cal feature to verify calibration
- Multiple 3/4 inch (19 mm) male and female spherical radius adapters and 1 1/4 (32 mm) female spherical radius adapter
- Storage and shipping container with mounting hardware to secure test fixture parts
- Axle jack test kit
- Skydrol resistant paint (safety yellow)
- 1 year standard warranty

Test Fixture Purpose:

- Test jack cylinder for structural integrity
- Test hydraulic system functionality
- Verify relief valve setting/adjustment

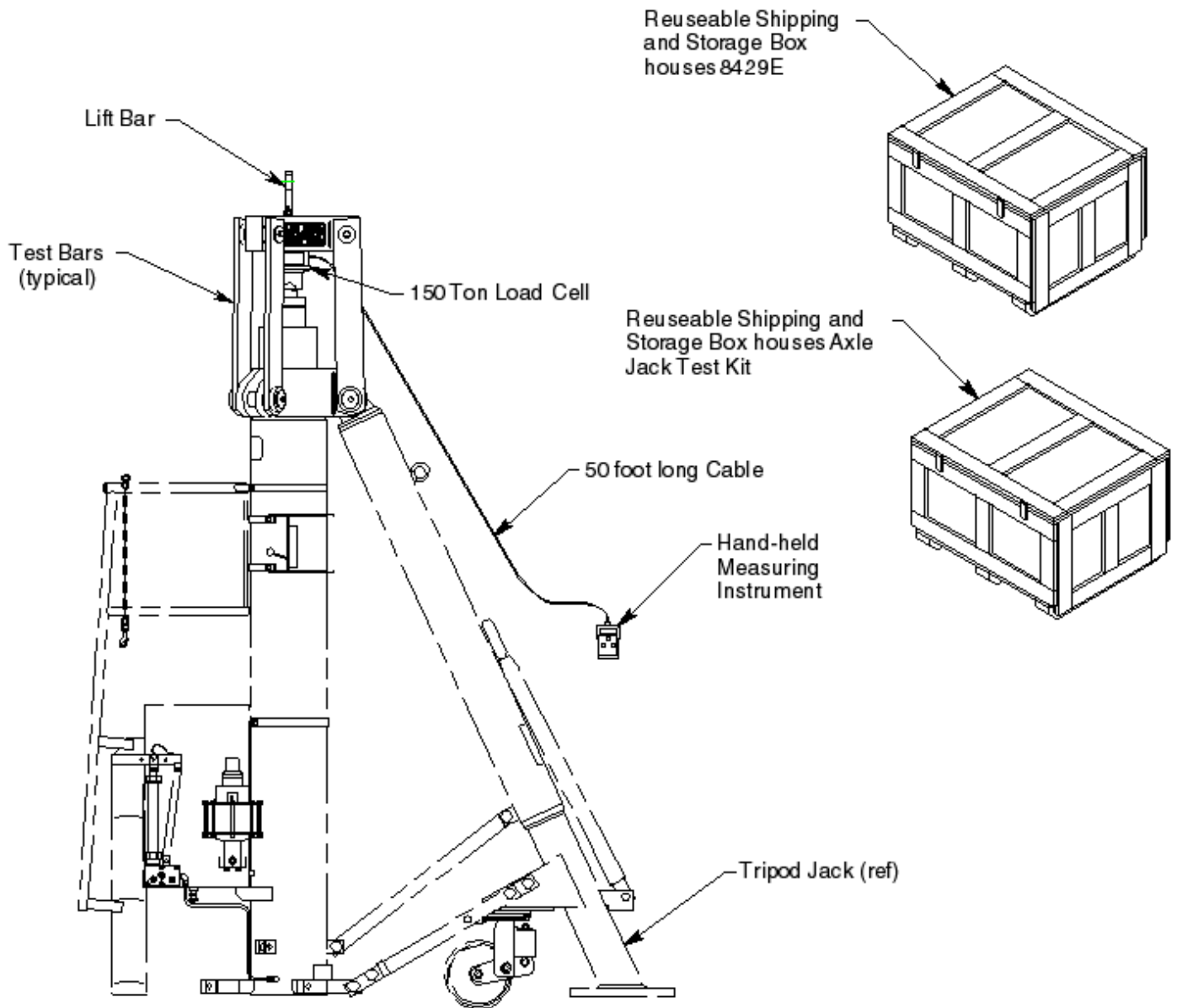
Set-Up:

- Test fixture is removed from storage/shipping container with a suitable crane or forklift and installed on tripod jack head

Optional Features:

- Customer specified paint color

150 Ton Portable Tripod Jack Test Fixture Model 8429E



150 Ton Portable Tripod Jack Test Fixture

Model 8429E

Specifications:

Rated Capacity

Tripod Jack Testing.....	150 tons (136.1 m. tons)
Axle Jack Testing (with optional accessory kit)	100 tons (90.7 m. tons)

8429E Storage and Shipping Container

Length	37.00 inches (940 mm)
Width	30.50 inches (775 mm)
Height.....	24.25 inches (622 mm)
Approximate Weight.....	900 lbs (409 kg)

883300-4 Storage and Shipping Container

Length	37.00 inches (940 mm)
Width	30.50 inches (775 mm)
Height.....	24.25 inches (622 mm)
Approximate Weight.....	900 lbs (409 kg)

Model 8429E Typical Applications:

Model 8429E is suitable for the following Malabar Jacks

Malabar Tripod Jack Models using Standard Test Bars:

703, 711, 712B, 713A, 714A, 714D, 717A, 718A, 718B, 725A, 731, 733, 736A, 737, 743, 746, 748A, 749, 749S, 759A, 760, 761, 763, 767A, 768A, 775, 775S, 785, 789, 792, 793, 795, 796, 7120A, 7120B, 7120C, 7120D, 7120E, 7225A, 8281A, 8487, 8487A, 8551, 8552, 8704, 8713, 8721, 8721A, 8721AEMB, 8722, 8722A, 8730, 8730A, 8730B, 8731, 8756, 8761, 8769, 8802, 8803, 8803A, 8810, 8810A, 8811, 8811A, 8811B, 8823, 8826, 8841, 8850, 8850EMB, 8857, 8924, 8934, 8935

Malabar Two Stage Tripod Jack Models using Optional Test Bar Kits:

Test Bar Kit P/N 842950: 7210B, 7210R, 7210S, 7210-S1
 Test Bar Kit P/N 842951: 7235A, 8760, 8864, 8902
 Test Bar Kit P/N 842952: 8863
 Test Bar Kit P/N 842953: 8865, 8882, 8918
 Test Bar Kit P/N 842957: 7215, 7215A, 7215B, 8923

Optional Equipment Codes:

(Order Separately)

SPC: Special Paint Color

150 Ton Portable Tripod Jack Test Fixture

Model 8429E

Optional Accessory Codes:

(Order Separately)

- 842950: Test Bar Kit
- 842951: Test Bar Kit
- 842952: Test Bar Kit
- 842953: Test Bar Kit
- 842957: Test Bar Kit

Shipping Data:

NOTE: Unless otherwise specified all equipment is shipped in an enclosed storage and shipping box.

Description	Length inches (mm)	Width inches (mm)	Height inches (mm)	Weight lbs (kg)
8429E*	37 (940)	30.5 (775)	24.25 (622)	900 (409)
842950	35 (889)	21 (534)	9 (229)	170 (78)
842951	69 (1753)	30 (762)	9 (229)	460 (210)
842952	110 (2794)	30 (762)	9 (229)	760 (346)
842953	85 (2159)	30 (762)	9 (229)	600 (272)
842957	65 (1651)	30 (762)	9 (229)	310 (141)
*2 containers, each at specified weight and dimensions				