

8

7

6

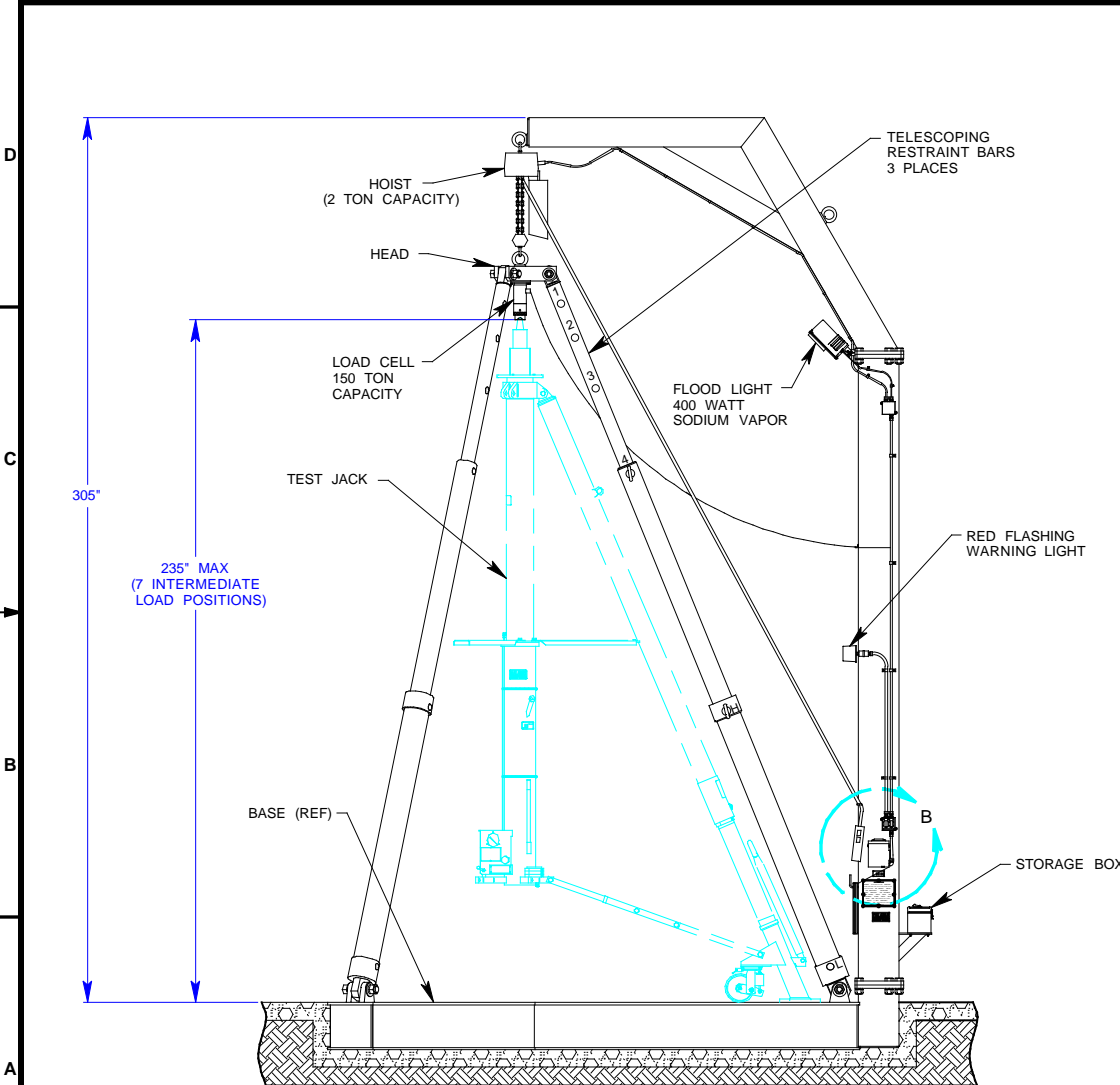
5

4

3

DWGNO: SK 8834 SH 1 REV C 1

REVISIONS				
ZONE	REV	DESCRIPTION	DATE	BY APPROVED
C		UPDATED TO AS BUILT CONFIG.	10/6/99	BW NA



UNIVERSAL TRIPOD JACK TEST STAND SPECIFICATIONS:

- Test Capacity**
 Max. Rated Load : 150 Tons (136 M. Tons)
 Jack sizes accommodated : Footpad radius 36 to 108 in. (914 to 2743 mm)
 Min. height 60 in. (1524 mm)
 Max. height 235 in. (5969 mm)
 210 Tons (190 M. Tons)
- Test Stand Size (Installed in ground)**
 Overall Dimensions (above ground) : 205 in. (5207 mm) L x 212 in. (5385 mm) W x 305 in. (7747 mm) H
 Weight (Approx.) : 14,000 lbs. (6350 Kg)
- Model 8834 Benefits**
 Simplicity : One man operation
 Size & weight : Compact with light weight tripod type design
 Ease of shipment : Modular construction allows packing for standard freight costs
 Ease of Adjustment : All restraint bar adjustments are made within 110 in. (2794 mm) of base (5 foot step ladder recommended)
 Foundation : Tripod design results in small base sections and less excavation
 Capacity : Tests all Malabar tripod jacks and most other jacks of similar capacity and configuration
 Accuracy : ±0.2% Full Scale accuracy (Electronic load measuring device with digital readout)
 Convenience : Overhead 400 W sodium vapor floodlight to illuminate work area
 Accessories : Electric operated hoist to adjust test height
 Safety : Complete set of test load adapters
 Warranty : Red warning light to signify test in progress
 36 months on structure & 12 months on electronics
- Shipping data**
 Approximate Crate Size: 240 in. (6096 mm) L x 192 in. (4877 mm) W x 96 in. (2438 mm) H
 Oversize load, special handling required. Contact Malabar for details.
 Approximate Weight: 15,000 lbs. (6804 Kg.)
- Facility requirements (by customer)**
 Shop air : 56 SCFM @ 100 psig (1586 LPM @ 6.9 BAR) min.
 Electricity : 115/230 VAC, 50/60 Hz, 15A
 Foundation : 18 x 18 in. (457 x 457 mm) 'Y' shaped trench and concrete pad
 Recommendation : 30 ft. (9.14 m) high x 18 ft. (5.49 m) square roof cover is highly recommended
- Environmental Location :** All components painted or plated to withstand sustained outdoor exposure
- Data Instructions :** Complete set of manuals with installation, operation, maintenance, and calibration instructions included

MODEL : 8834

ITEM NO.	QTY REQD	FSCM NO.	PART OR IDENTIFYING NO.	NOMENCLATURE OR DESCRIPTION	MATERIAL SPECIFICATION
PARTS LIST					
UNLESS OTHERWISE SPECIFIED DIMENSIONS ARE IN INCHES TOLERANCES ARE FRACTIONS DECIMALS ANGLES					
	1/32	XX 4 .03	XX X .010	* 1°	
APPROVAL				DATE	
DRAWN	J. KEEFE			3/97	
CHECKED	ADVANI			3/97	
ISSUED					
CONTRACT NO.	MALABAR INTERNATIONAL SIMI VALLEY, CALIFORNIA				
UNIVERSAL TRIPOD JACK TEST STAND					
SIZE	FSCM NO.	DWGNO.	REV		
D	94861	SK 8834	C		
APPLICATION	DO NOT SCALE DRAWING	SCALE 1/20	SHEET 1	OF 3	

NOTES : UNLESS OTHERWISE SPECIFIED

8

7

6

5

4

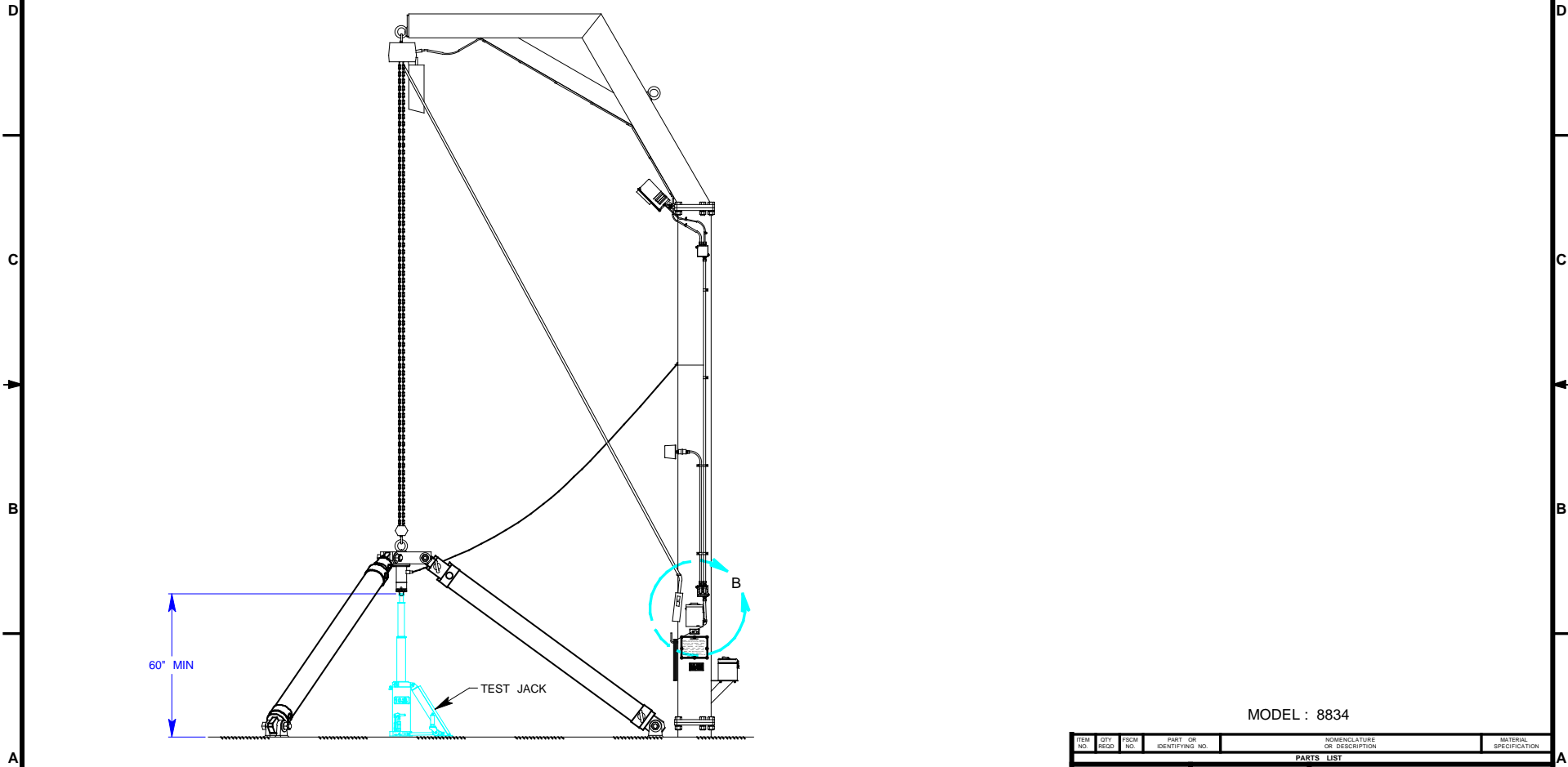
3

2

1

8 7 6 5 4 3

DWGNO: SK 8834		SH 2	REV C	1
REVISIONS				
ZONE	REV	DESCRIPTION	DATE	BY / APPROVED
SEE SHEET 1				



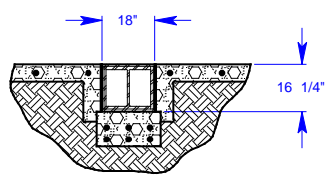
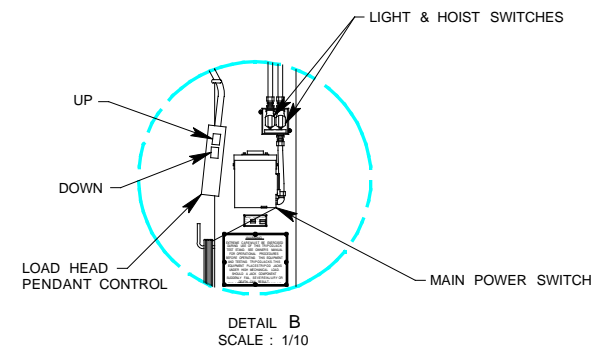
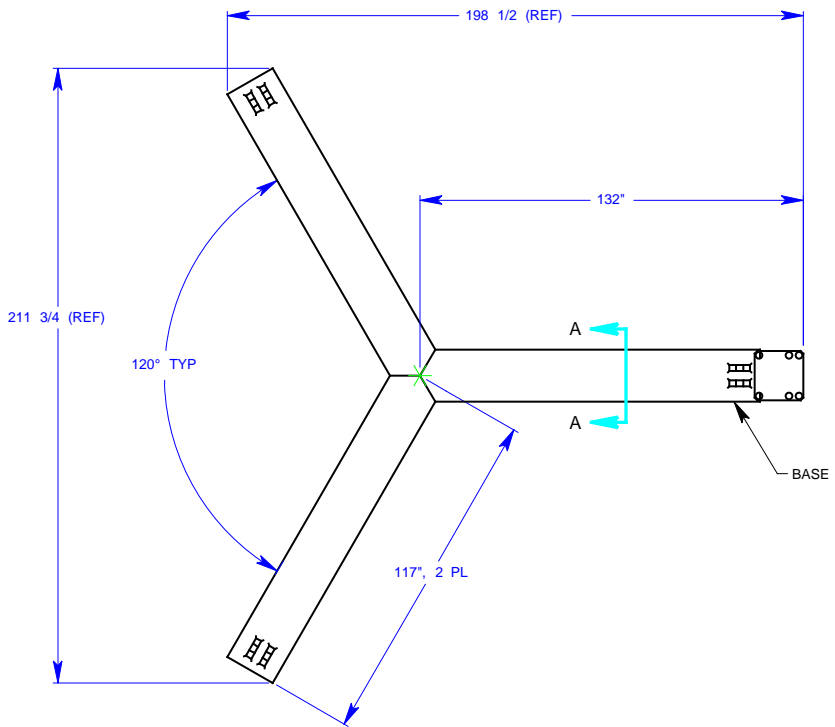
MODEL : 8834

NOTES : UNLESS OTHERWISE SPECIFIED

ITEM NO.	QTY	FSCM NO.	PART OR IDENTIFYING NO.	NOMENCLATURE OR DESCRIPTION	MATERIAL SPECIFICATION
PARTS LIST					
UNLESS OTHERWISE SPECIFIED DIMENSIONS ARE IN INCHES 1/16" ∇ TOLERANCES ARE: FRACTIONS DECIMALS ANGLES			CONTRACT NO.		
1/32 .004 .01 .001 & .010 * 1°			APPROVAL	DATE	
MATERIAL			DRAWN	3/97	
FINISH			CHECKED	ADVANI 3/97	
NEXT ASSEMBLY USED ON			ISSUED		
APPLICATION			DO NOT SCALE DRAWING		
			SIZE	FSCM NO.	DWGNO.
			D	94861	SK 8834
			SCALE	1/20	REV C
			SHEET 2 OF 3		

8 7 6 5 4 3 2 1

DWG NO. SK 8834		SH 3	REV C	1
REVISIONS				
ZONE	REV	DESCRIPTION	DATE	BY / APPROVED
		SEE SHEET 1		



MODEL : 8834

NOTES : UNLESS OTHERWISE SPECIFIED

ITEM NO.	QTY	FSCM NO.	PART OR IDENTIFYING NO.	NOMENCLATURE OR DESCRIPTION	MATERIAL SPECIFICATION
PARTS LIST					
UNLESS OTHERWISE SPECIFIED DIMENSIONS ARE IN INCHES FRACTIONS DECIMALS ANGLES				CONTRACT NO.	
1/32 XX & .02 * 10				APPROVAL DATE	
MATERIAL				DRAWN J. KEEFE 3/97	
FINISH				CHECKED ADVANI 3/97	
NEXT ASSEMBLY USED ON				ISSUED	
APPLICATION DO NOT SCALE DRAWING				SCALE 1/20	
				SIZE FSCM NO. DWG NO. REV	
				D 94861 SK 8834 C	
				SHEET 3 OF 3	

MALABAR INTERNATIONAL
SIMI VALLEY, CALIFORNIA

UNIVERSAL JACK TEST STAND

SCALE 1/20 SHEET 3 OF 3