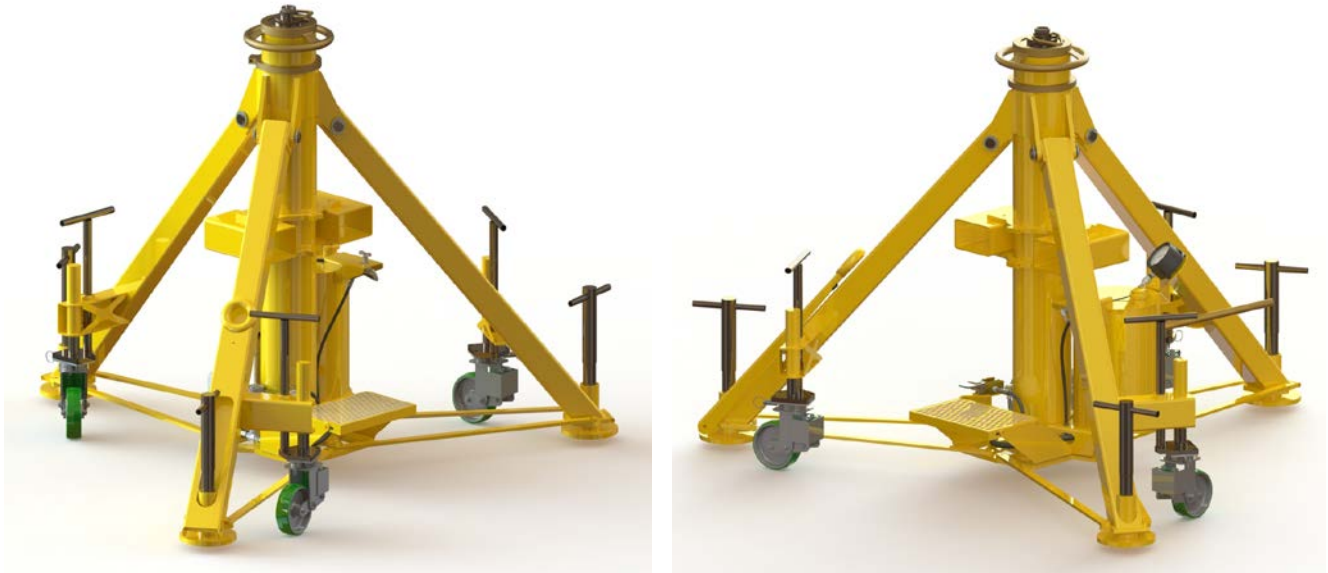


11 Ton Universal Tripod Jack

Model 8971



The Model 8971 Tripod Jack is an 11 ton capacity single stage hydraulic jack designed for use in aircraft maintenance. The 8971 also features a mechanical extension allowing for use on aircraft with significantly differing jack point elevations. It consists of a tripod structure with hydraulic cylinder assembly, operator platform, foot-actuated pneumatic pump, load gauge, hand pump, height adjustable swivel casters, height adjustable leveling footpads, bubble level, and cast steel locknut with handwheel.

The jack is supported by three adjustable spring loaded swivel casters for transport and positioning. When the jack is properly positioned, the adjustable footpads are lowered to meet the ground. The 8971 can be deployed rapidly and effectively on flat or uneven surfaces.

The Model 8971 is built to withstand harsh environmental conditions and rugged use, and to provide many years of continuous service. Our customers are guaranteed a quality product with each purchase and are assured of our continued product support whenever and wherever the need arises.

Standard Features:

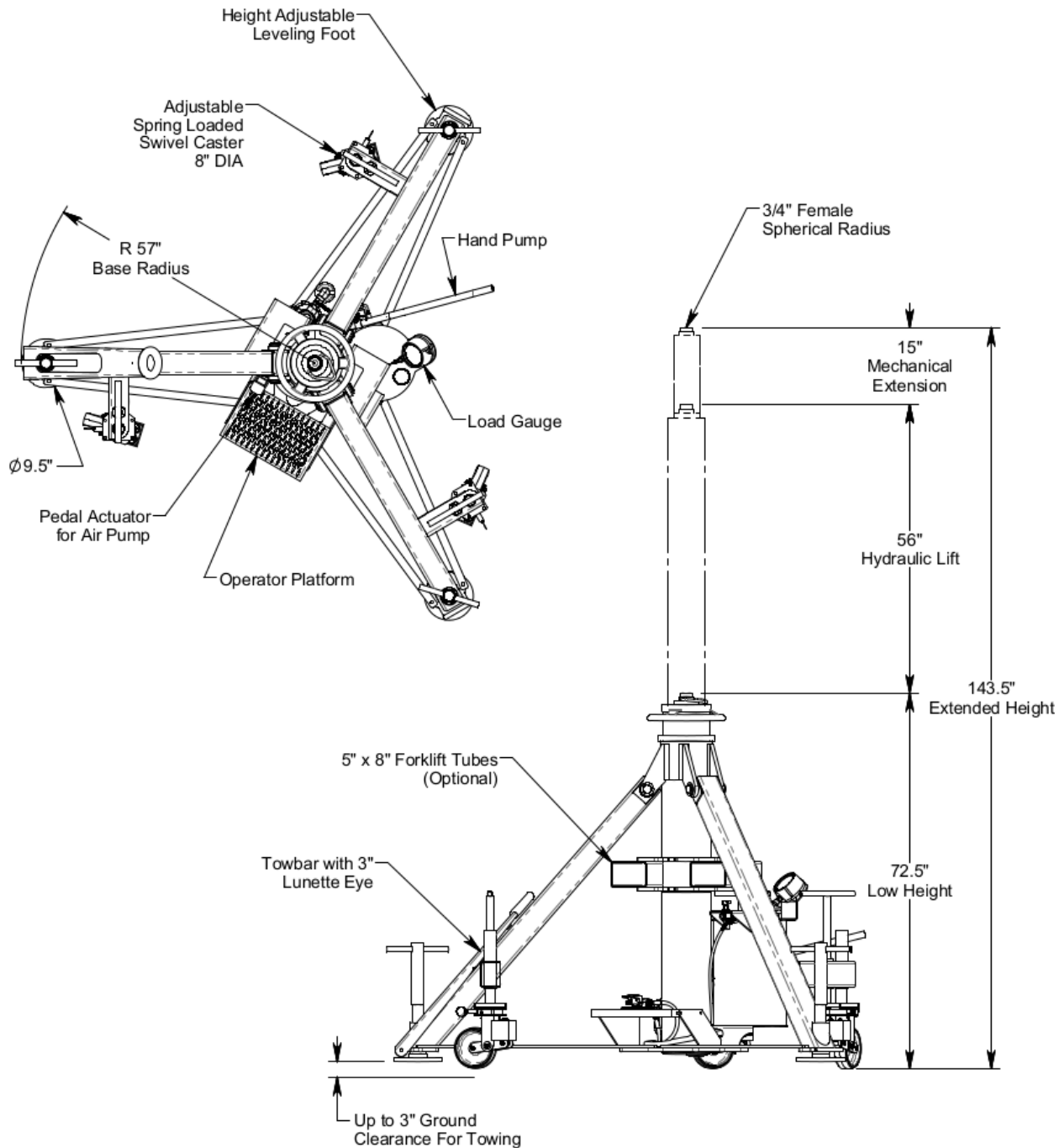
- Operator platform
- Foot-actuated pneumatic pump
- Manual hand pump
- Adjustable spring loaded swivel casters for smooth jack maneuverability
- Height adjustable leveling foot pads and bubble level
- Extended tripins for use with Malabar test fixture
- Load gauge (reads tons/psig)
- Cast steel locknut with handwheel
- Towbar with 3" lunette eye, can be fitted to any leg
- Secondary cylinder seal for protection against contaminants and to prolong life of primary seal
- Hard chrome plated cylinder bore
- 3 year warranty
- Shipping on domestic skid

Optional Features:

- Forklift tubes
- Customer specified paint color
- Export crating

11 Ton Universal Tripod Jack

Model 8971



For more information contact: sales@malabar.com

11 Ton Universal Tripod Jack

Model 8971

Specifications:

Rated Capacity	11 tons (36.2 m. tons)
Side Load.....	15% of vertical load
Low Height.....	72.5 inches (1,842 mm)
Hydraulic Lift.....	56 inches (1,422 mm)
Mechanical Extension.....	15 inches (381 mm)
Total Extended Height.....	128.5 / 143.5 inches (3,264 / 3,645 mm)
Oil Pressure at Rated Capacity.....	1500 psig (105 kg/cm ²)
Safety Pop-off Valve set at.....	12.1 tons (11.0 m. tons)
Proof Load	16.5 tons (15.0 m. tons)
Reservoir Capacity	13.1 Gallons (49.7 liters)
Hydraulic Fluid.....	MIL-PRF-5606 or equivalent
Approximate Jack Net Weight.....	2,000 lbs (907 kg)

Model 8971 Typical Aircraft Applications:

Tail	Nose
B737-100 to -900, B737-200C, B737-7/-8/-9 MAX	A318, A319, A320, A321, A319neo, A320neo, A321neo

Optional Equipment Codes:

(Specify with order)

- SPC: Special paint color
- 8971PK: Repair Kit
- EC: Export crating

Shipping Data:

Packaging	Length inches (mm)	Width inches (mm)	Height inches (mm)	Weight lbs (kg)
Domestic Skid	80 (2,030)	70 (1,780)	39 (1,000)	2,200 (998)
Export Crating	82 (2,080)	72 (1,830)	42 (1,070)	2,300 (1,043)